

MetraBus Schematic Package

* * * * *

MetraBus Schematic Package

Revision A - June 1991
Copyright © Keithley MetraByte Corp. 1991
Part Number: 24799

KEITHLEY METRABYTE CORPORATION

440 MYLES STANDISH BLVD., Taunton, MA 02780
TEL 508/880-3000, FAX 508/880-0179

Warranty Information

All products manufactured by Keithley MetraByte are warranted against defective materials and workmanship for a period of one year from the date of delivery to the original purchaser. Any product that is found to be defective within the warranty period will, at the option of Keithley MetraByte, be repaired or replaced. This warranty does not apply to products damaged by improper use.

Warning

Keithley MetraByte assumes no liability for damages consequent to the use of this product. This product is not designed with components of a level of reliability suitable for use in life support or critical applications.

Disclaimer

Information furnished by Keithley MetraByte is believed to be accurate and reliable. However, the Keithley MetraByte Corporation assumes no responsibility for the use of such information nor for any infringements of patents or other rights of third parties that may result from its use. No license is granted by implication or otherwise under any patent rights of Keithley MetraByte Corporation.

Note:

MetraByte™ is a trademark of Keithley MetraByte Corporation.

Basic™ is a trademark of Dartmouth College.

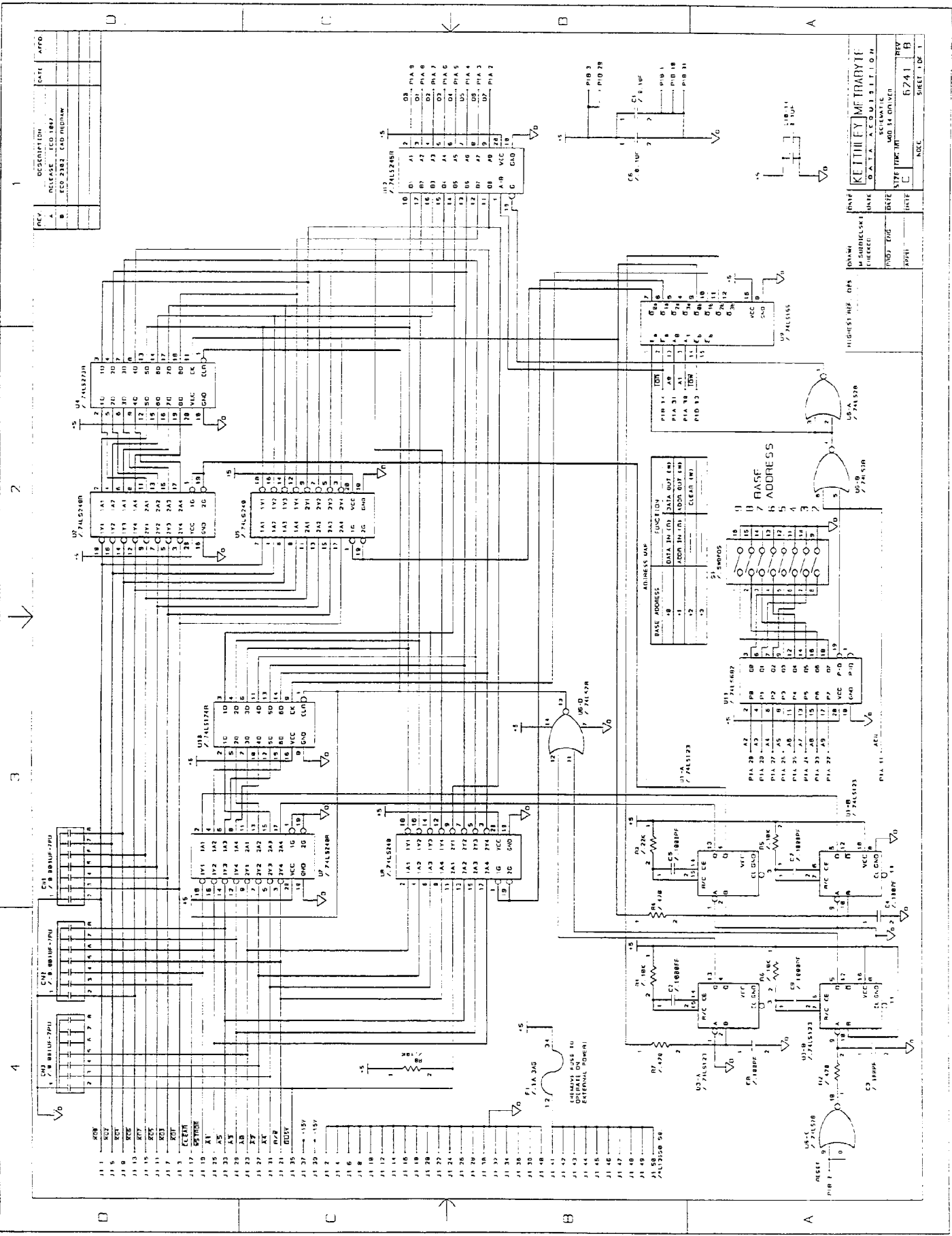
IBM® is a registered trademark of International Business Machines Corporation.

PC, XT, AT, PS/2, and Micro Channel Architecture® are trademarks of International Business Machines Corporation.

Microsoft® is a registered trademark of Microsoft Corporation.

Turbo C® is a registered trademark of Borland International.

* * * * *



REV	DESCRIPTION	DATE	BY
A	RELEASE TO 1874		
B	ESC 2351 CAD MOD/AM		

REV	DESCRIPTION	DATE	BY
A	RELEASE TO 1874		
B	ESC 2351 CAD MOD/AM		

REV	DESCRIPTION	DATE	BY
A	RELEASE TO 1874		
B	ESC 2351 CAD MOD/AM		

REV	DESCRIPTION	DATE	BY
A	RELEASE TO 1874		
B	ESC 2351 CAD MOD/AM		

REV	DESCRIPTION	DATE	BY
A	RELEASE TO 1874		
B	ESC 2351 CAD MOD/AM		

REV	DESCRIPTION	DATE	BY
A	RELEASE TO 1874		
B	ESC 2351 CAD MOD/AM		

REV	DESCRIPTION	DATE	BY
A	RELEASE TO 1874		
B	ESC 2351 CAD MOD/AM		

REV	DESCRIPTION	DATE	BY
A	RELEASE TO 1874		
B	ESC 2351 CAD MOD/AM		

REV	DESCRIPTION	DATE	BY
A	RELEASE TO 1874		
B	ESC 2351 CAD MOD/AM		

REV	DESCRIPTION	DATE	BY
A	RELEASE TO 1874		
B	ESC 2351 CAD MOD/AM		

REV	DESCRIPTION	DATE	BY
A	RELEASE TO 1874		
B	ESC 2351 CAD MOD/AM		

REV	DESCRIPTION	DATE	BY
A	RELEASE TO 1874		
B	ESC 2351 CAD MOD/AM		

REV	DESCRIPTION	DATE	BY
A	RELEASE TO 1874		
B	ESC 2351 CAD MOD/AM		

REV	DESCRIPTION	DATE	BY
A	RELEASE TO 1874		
B	ESC 2351 CAD MOD/AM		

REV	DESCRIPTION	DATE	BY
A	RELEASE TO 1874		
B	ESC 2351 CAD MOD/AM		

REV	DESCRIPTION	DATE	BY
A	RELEASE TO 1874		
B	ESC 2351 CAD MOD/AM		

REV	DESCRIPTION	DATE	BY
A	RELEASE TO 1874		
B	ESC 2351 CAD MOD/AM		

REV	DESCRIPTION	DATE	BY
A	RELEASE TO 1874		
B	ESC 2351 CAD MOD/AM		

REV	DESCRIPTION	DATE	BY
A	RELEASE TO 1874		
B	ESC 2351 CAD MOD/AM		

REV	DESCRIPTION	DATE	BY
A	RELEASE TO 1874		
B	ESC 2351 CAD MOD/AM		

REV	DESCRIPTION	DATE	BY
A	RELEASE TO 1874		
B	ESC 2351 CAD MOD/AM		

REV	DESCRIPTION	DATE	BY
A	RELEASE TO 1874		
B	ESC 2351 CAD MOD/AM		

REV	DESCRIPTION	DATE	BY
A	RELEASE TO 1874		
B	ESC 2351 CAD MOD/AM		

REV	DESCRIPTION	DATE	BY
A	RELEASE TO 1874		
B	ESC 2351 CAD MOD/AM		

REV	DESCRIPTION	DATE	BY
A	RELEASE TO 1874		
B	ESC 2351 CAD MOD/AM		

REV	DESCRIPTION	DATE	BY
A	RELEASE TO 1874		
B	ESC 2351 CAD MOD/AM		

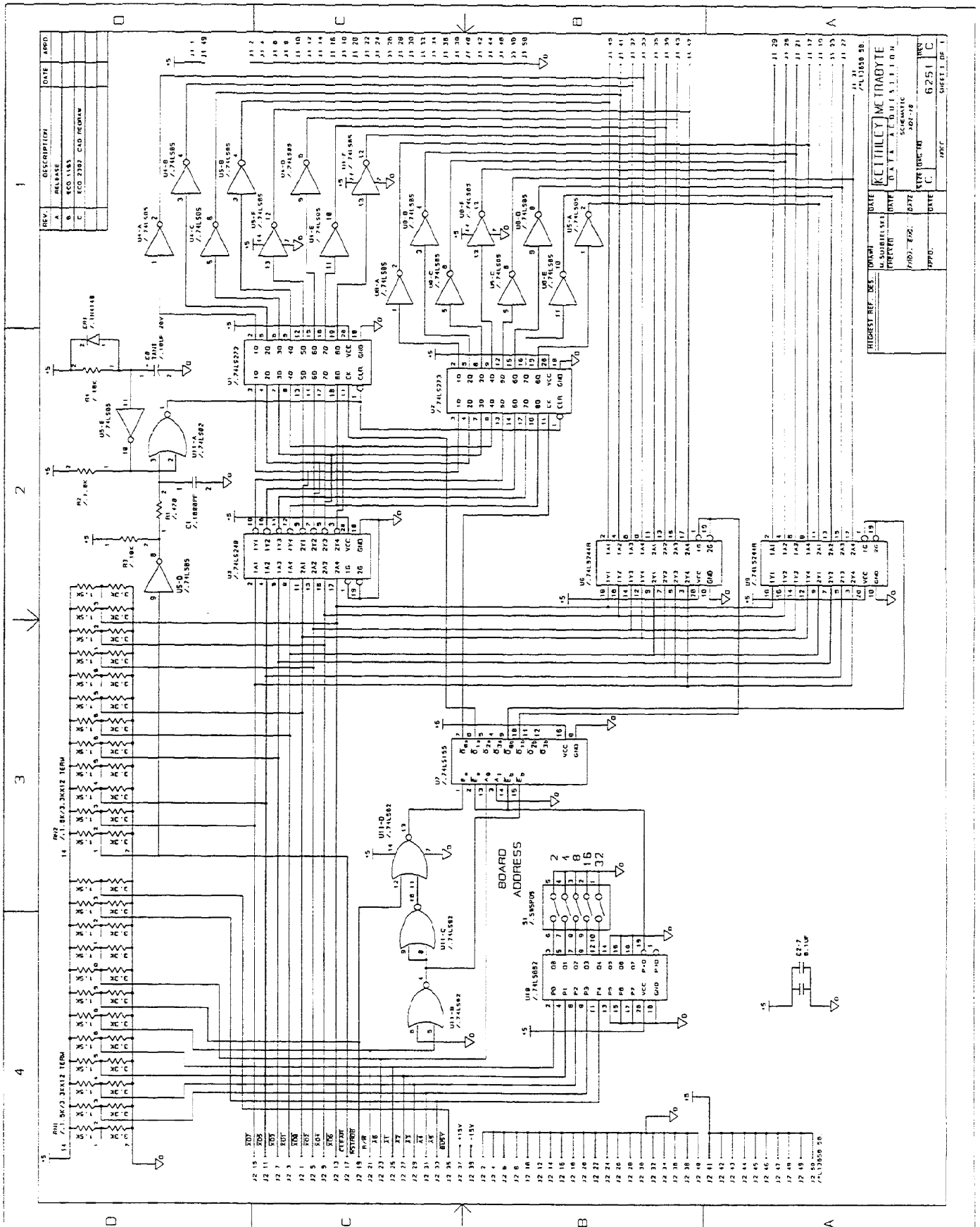
REV	DESCRIPTION	DATE	BY
A	RELEASE TO 1874		
B	ESC 2351 CAD MOD/AM		

REV	DESCRIPTION	DATE	BY
A	RELEASE TO 1874		
B	ESC 2351 CAD MOD/AM		

REV	DESCRIPTION	DATE	BY
A	RELEASE TO 1874		
B	ESC 2351 CAD MOD/AM		

REV	DESCRIPTION	DATE	BY
A	RELEASE TO 1874		
B	ESC 2351 CAD MOD/AM		

REV	DESCRIPTION	DATE	BY
A	RELEASE TO 1874		
B	ESC 2351 CAD MOD/AM		



REV.	DESCRIPTION	DATE	APPD.
A	RELEASE		
B	ECO 1153		
C	ECO 2302 CAD REVISION		

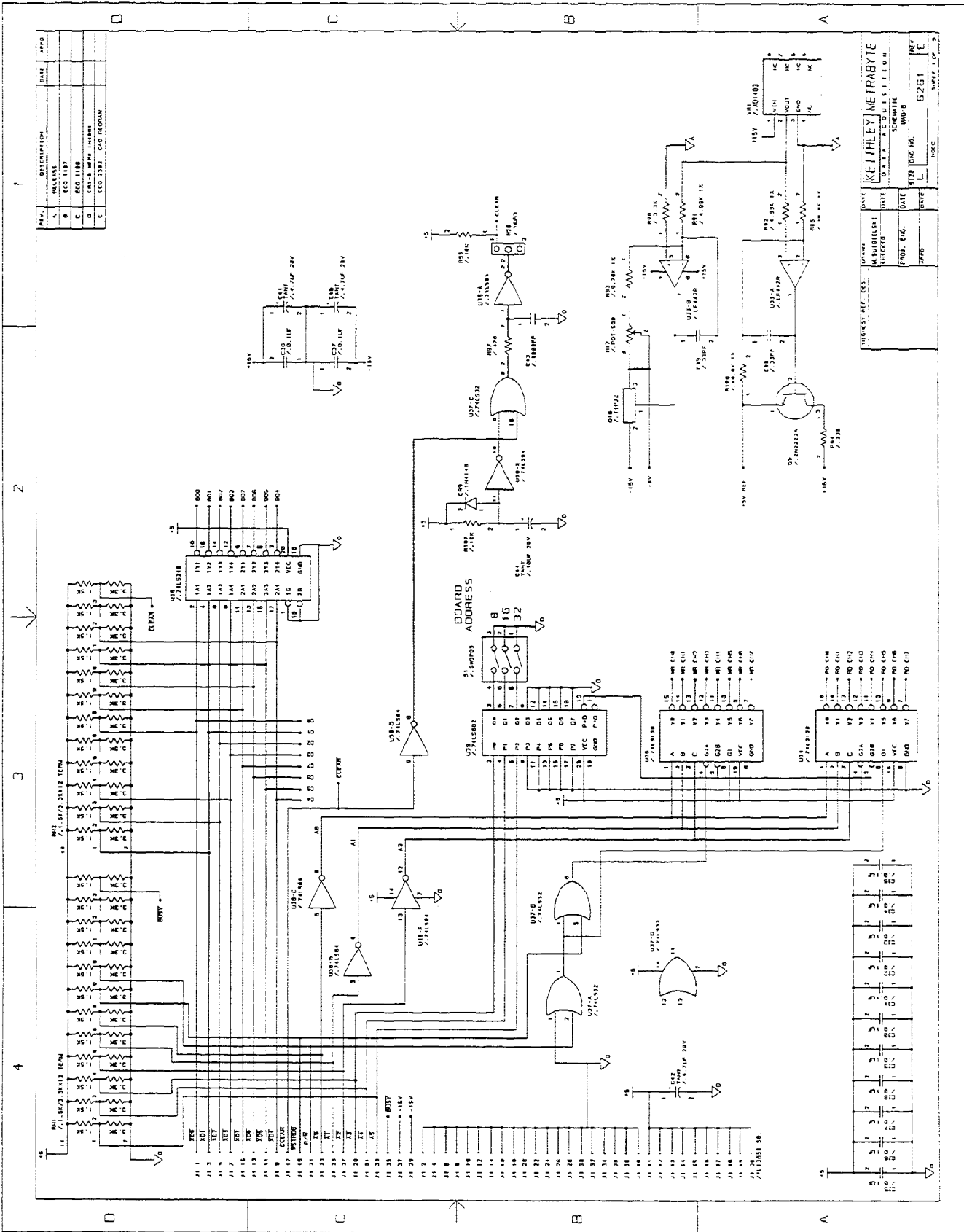
DATE	TIME	DES.	DRAWN	CHKD.	BY
11 27	11 27				
11 28					
11 29					
11 30					
12 01					
12 02					
12 03					
12 04					
12 05					
12 06					
12 07					
12 08					
12 09					
12 10					
12 11					
12 12					
12 13					
12 14					
12 15					
12 16					
12 17					
12 18					
12 19					
12 20					
12 21					
12 22					
12 23					
12 24					
12 25					
12 26					
12 27					
12 28					
12 29					
12 30					
12 31					
12 32					
12 33					
12 34					
12 35					
12 36					
12 37					
12 38					
12 39					
12 40					
12 41					
12 42					
12 43					
12 44					
12 45					
12 46					
12 47					
12 48					
12 49					
12 50					

HIGHEST REF. DES.	DATE	TIME	BY	CHKD.	APPD.
	11 27	11 27			
	11 28				
	11 29				
	11 30				
	12 01				
	12 02				
	12 03				
	12 04				
	12 05				
	12 06				
	12 07				
	12 08				
	12 09				
	12 10				
	12 11				
	12 12				
	12 13				
	12 14				
	12 15				
	12 16				
	12 17				
	12 18				
	12 19				
	12 20				
	12 21				
	12 22				
	12 23				
	12 24				
	12 25				
	12 26				
	12 27				
	12 28				
	12 29				
	12 30				
	12 31				
	12 32				
	12 33				
	12 34				
	12 35				
	12 36				
	12 37				
	12 38				
	12 39				
	12 40				
	12 41				
	12 42				
	12 43				
	12 44				
	12 45				
	12 46				
	12 47				
	12 48				
	12 49				
	12 50				

REV.	DESCRIPTION	DATE	APPD.
A	RELEASE		
B	ECO 1153		
C	ECO 2302 CAD REVISION		

KETTLICLY MC TRADYTE
 DATA AUTOMATIC
 SCHEMATIC
 20778
 2755 JUNE 68
 6251 C
 SHEET 1 OF 1

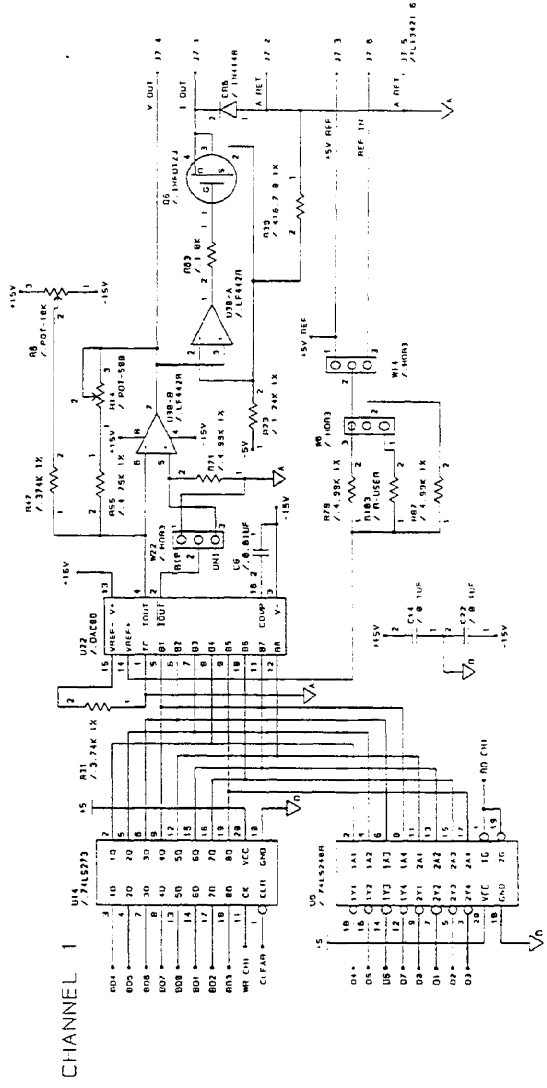
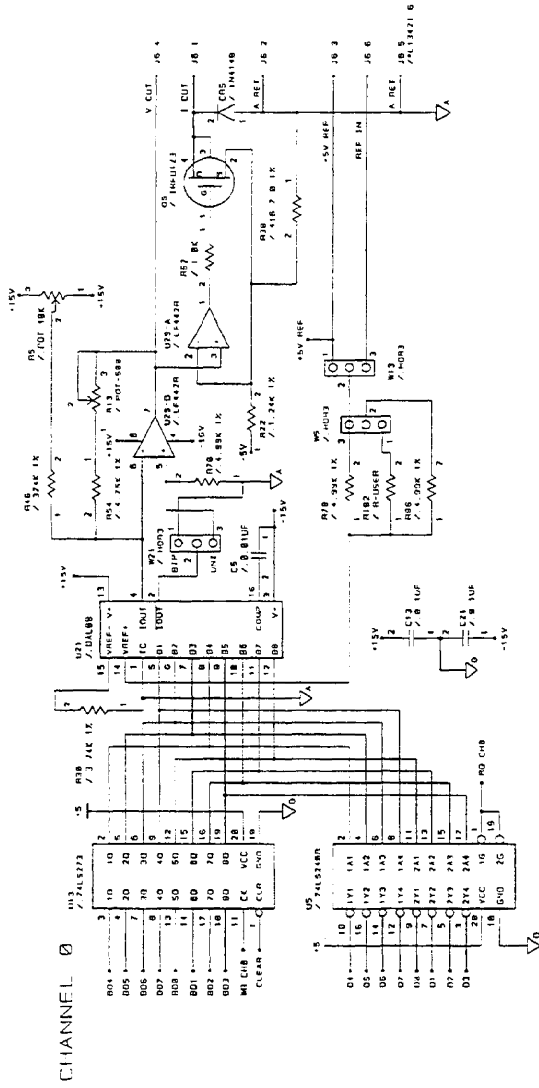
REV.	DESCRIPTION	DATE	APP'D
A	RELEASE		
B	ECC 1187		
C	ECC 1188		
D	ENH-B WITH INVERT		
E	ECC 2392 ECC REWORK		



PROJECT REF. NO.	DATE	REV.
100-1000000000	04/11/87	1
100-1000000000	04/11/87	1
100-1000000000	04/11/87	1

DATE	BY	CHK'D	APP'D
04/11/87	KEITHLEY		
04/11/87	MEYER		

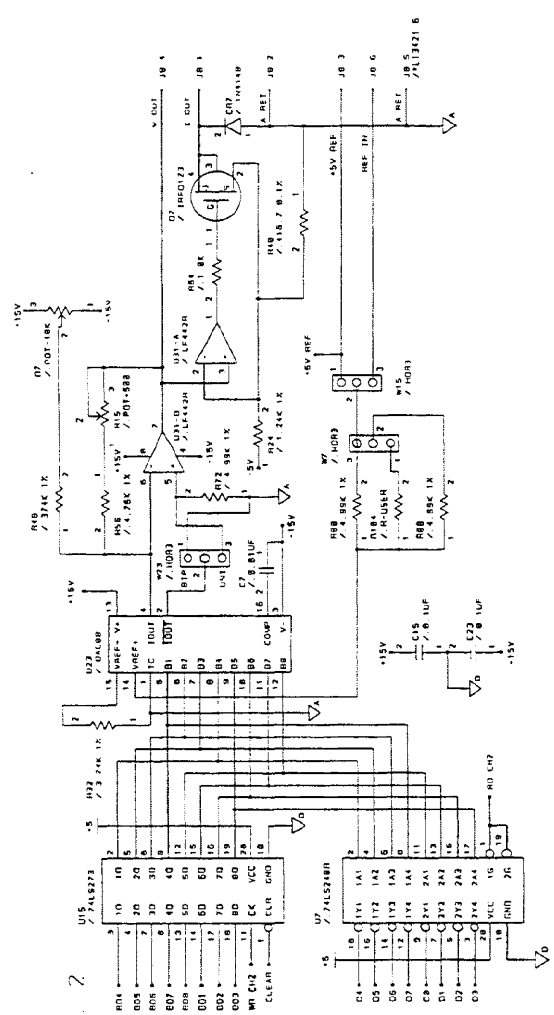
KEITHLEY METRABYTE
 04/11/87
 SCHEMATIC
 W08 B
 62/61



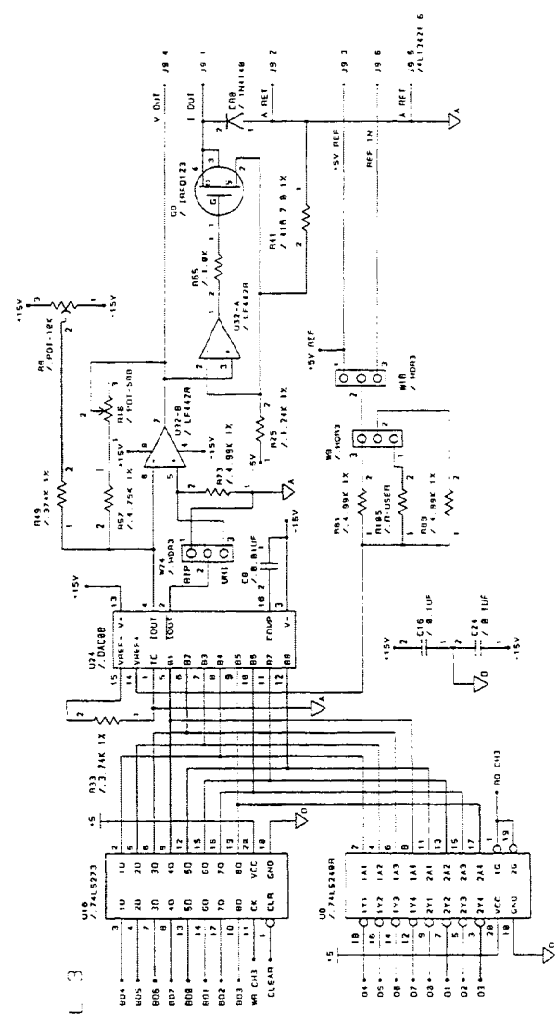
REV	DESCRIPTION	DATE	APPRO
1	SEE SHEET ONE		

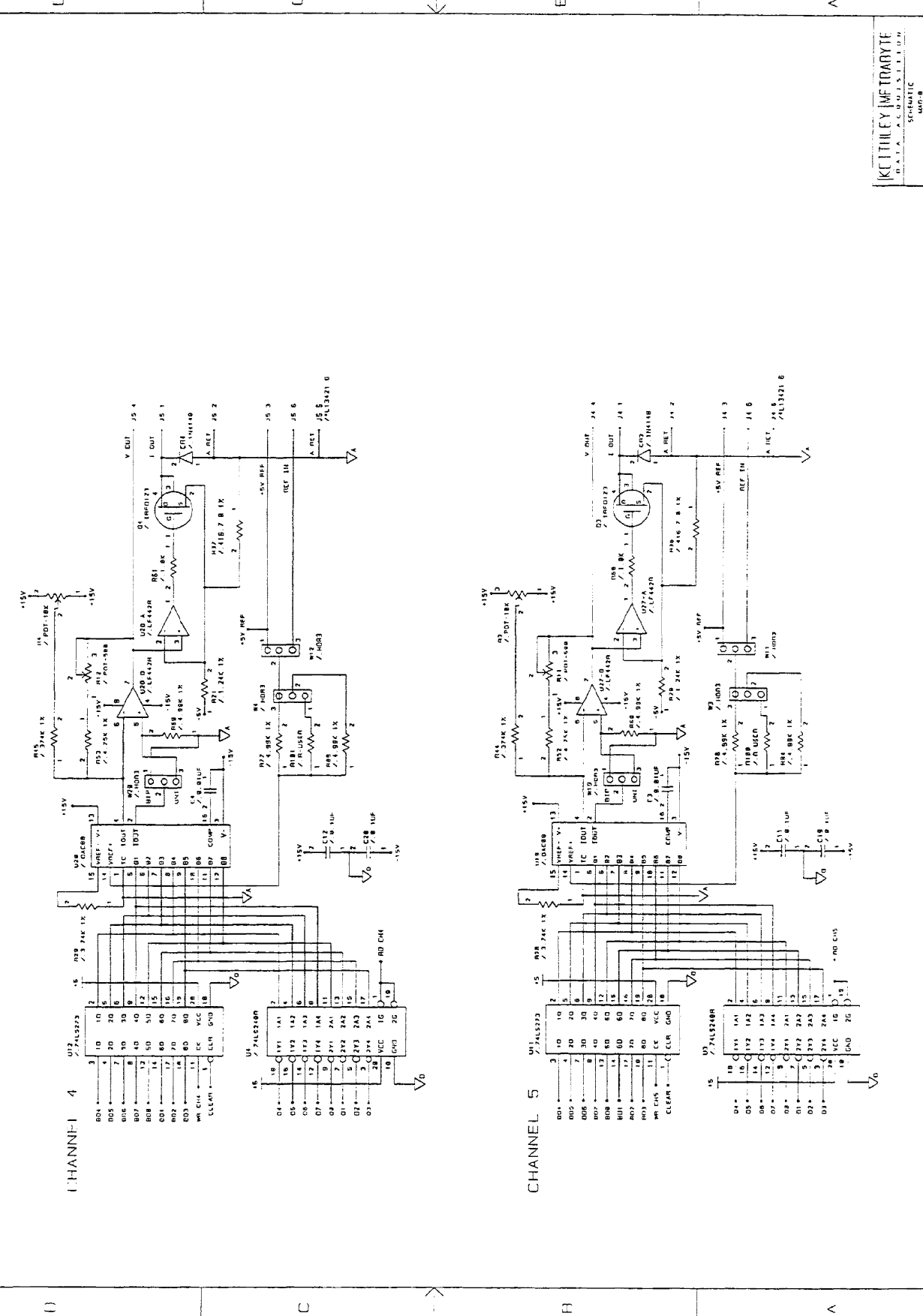
RETIHEY IM THABYTE
 DATA ACQUISITION
 SCHEMATIC
 MOD B
 DATE TIME: 07
 C. 6/26/11
 SHEET 3 OF 5

CHANNEL 2



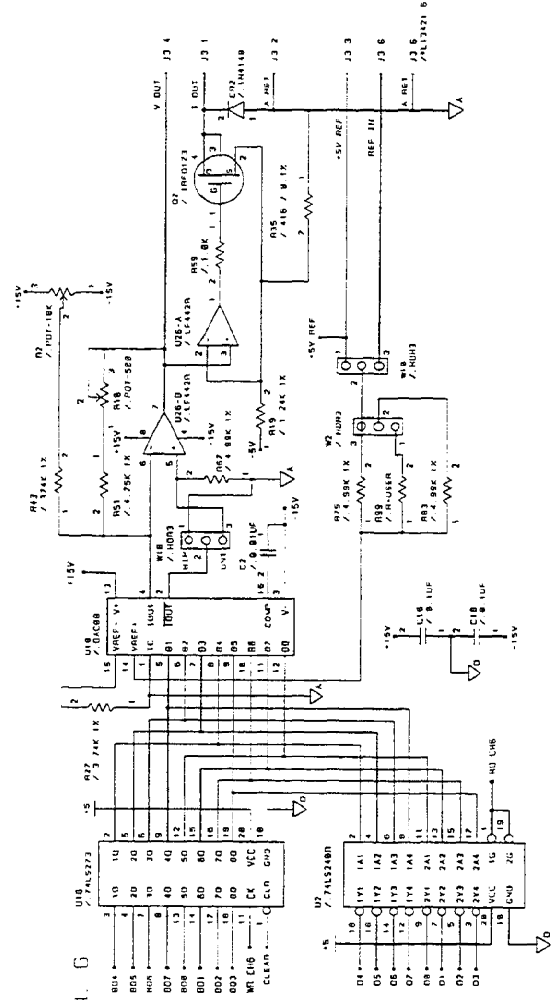
CHANNEL 3



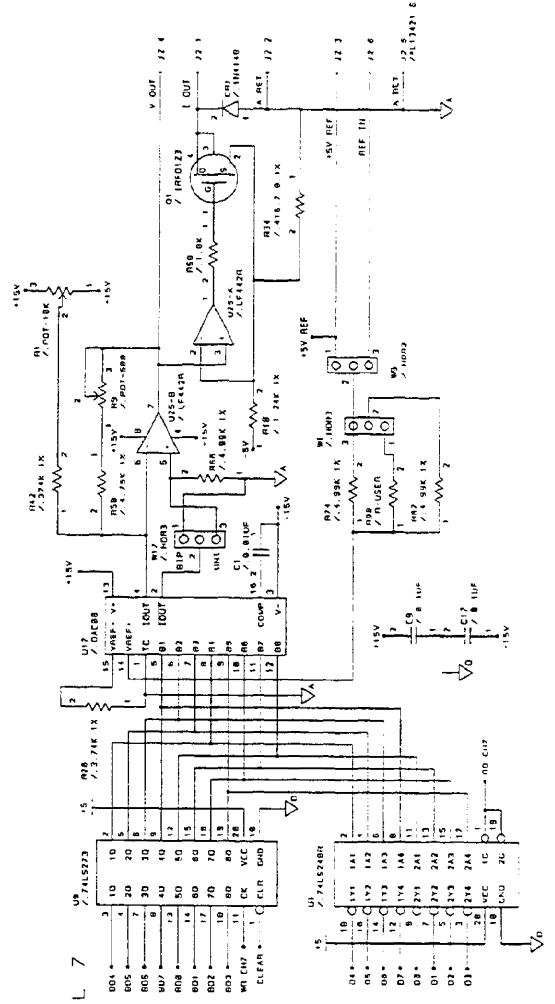


KETTERLEY INSTRUMENTS	
DATA ACQUISITION	
SCHEMATIC	
KT2F (REV. 00)	6261
REV. 00	REF. E
NOZZ	SHEET 1 OF 3

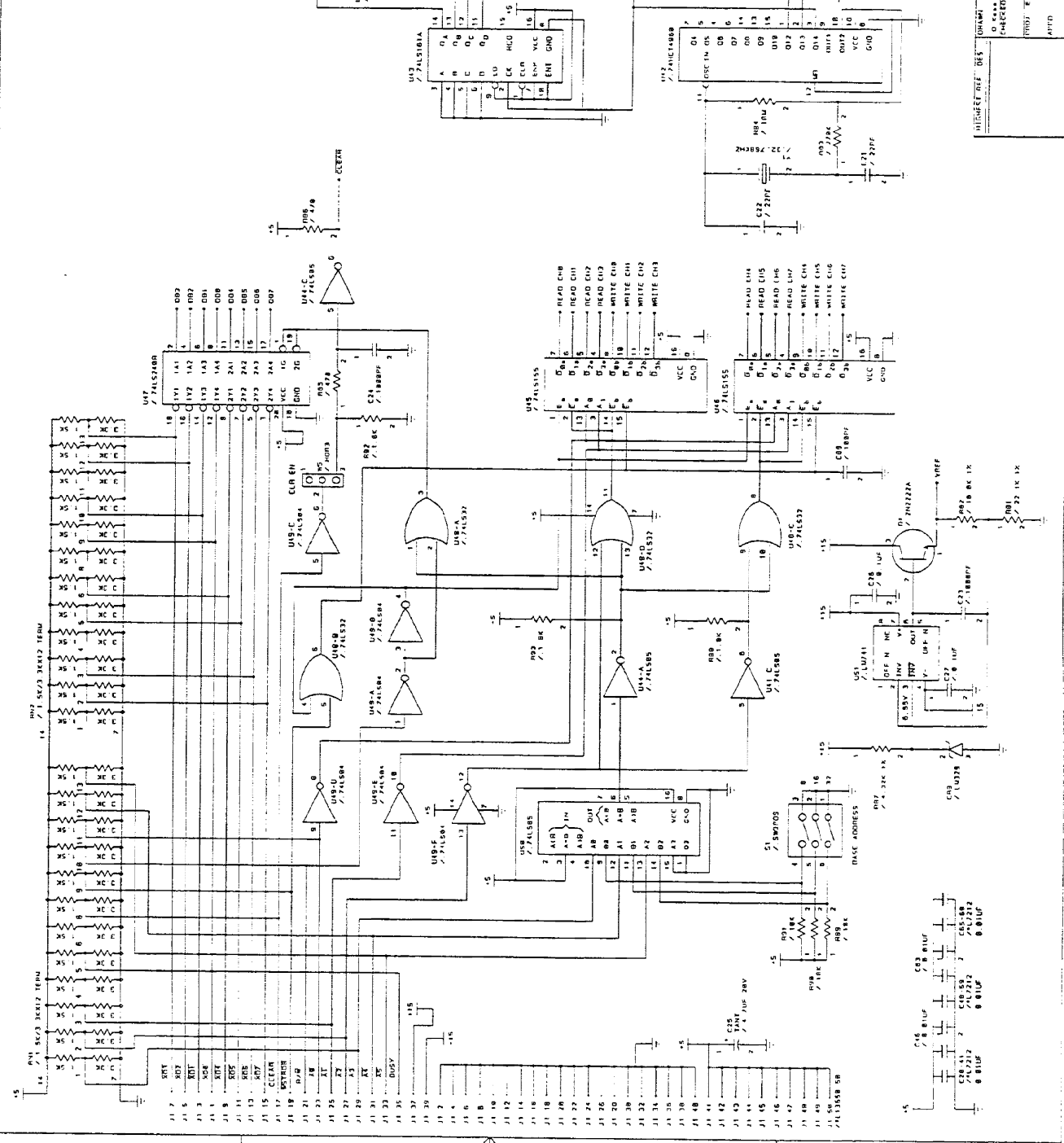
CHANNEL 6



CHANNEL 7



REV	DESCRIPTION	DATE	APPRO
A	ECD 1884 182 WAS 18K		
B	ECD 1888 1113 ADD U4B, U4T		
C	ECD 1288 ADD CER-37 U4S, 5		
D	ECD 1245 ADD DR-42, C47, 7		
E	ECD 1533 ADD R-31 WAS 18K		
F	ECD 1581 ADD C47		
G	ECD 1282 PRT ON C4D		



REV	DESCRIPTION	DATE	APPRO
A	ECD 1884 182 WAS 18K		
B	ECD 1888 1113 ADD U4B, U4T		
C	ECD 1288 ADD CER-37 U4S, 5		
D	ECD 1245 ADD DR-42, C47, 7		
E	ECD 1533 ADD R-31 WAS 18K		
F	ECD 1581 ADD C47		
G	ECD 1282 PRT ON C4D		

DATE	BY	CHKD	APPD
08/22/77	MM	MM	MM
08/22/77	MM	MM	MM
08/22/77	MM	MM	MM
08/22/77	MM	MM	MM

DATE	BY	CHKD	APPD
08/22/77	MM	MM	MM
08/22/77	MM	MM	MM
08/22/77	MM	MM	MM
08/22/77	MM	MM	MM

DATE	BY	CHKD	APPD
08/22/77	MM	MM	MM
08/22/77	MM	MM	MM
08/22/77	MM	MM	MM
08/22/77	MM	MM	MM

DATE	BY	CHKD	APPD
08/22/77	MM	MM	MM
08/22/77	MM	MM	MM
08/22/77	MM	MM	MM
08/22/77	MM	MM	MM

DATE	BY	CHKD	APPD
08/22/77	MM	MM	MM
08/22/77	MM	MM	MM
08/22/77	MM	MM	MM
08/22/77	MM	MM	MM

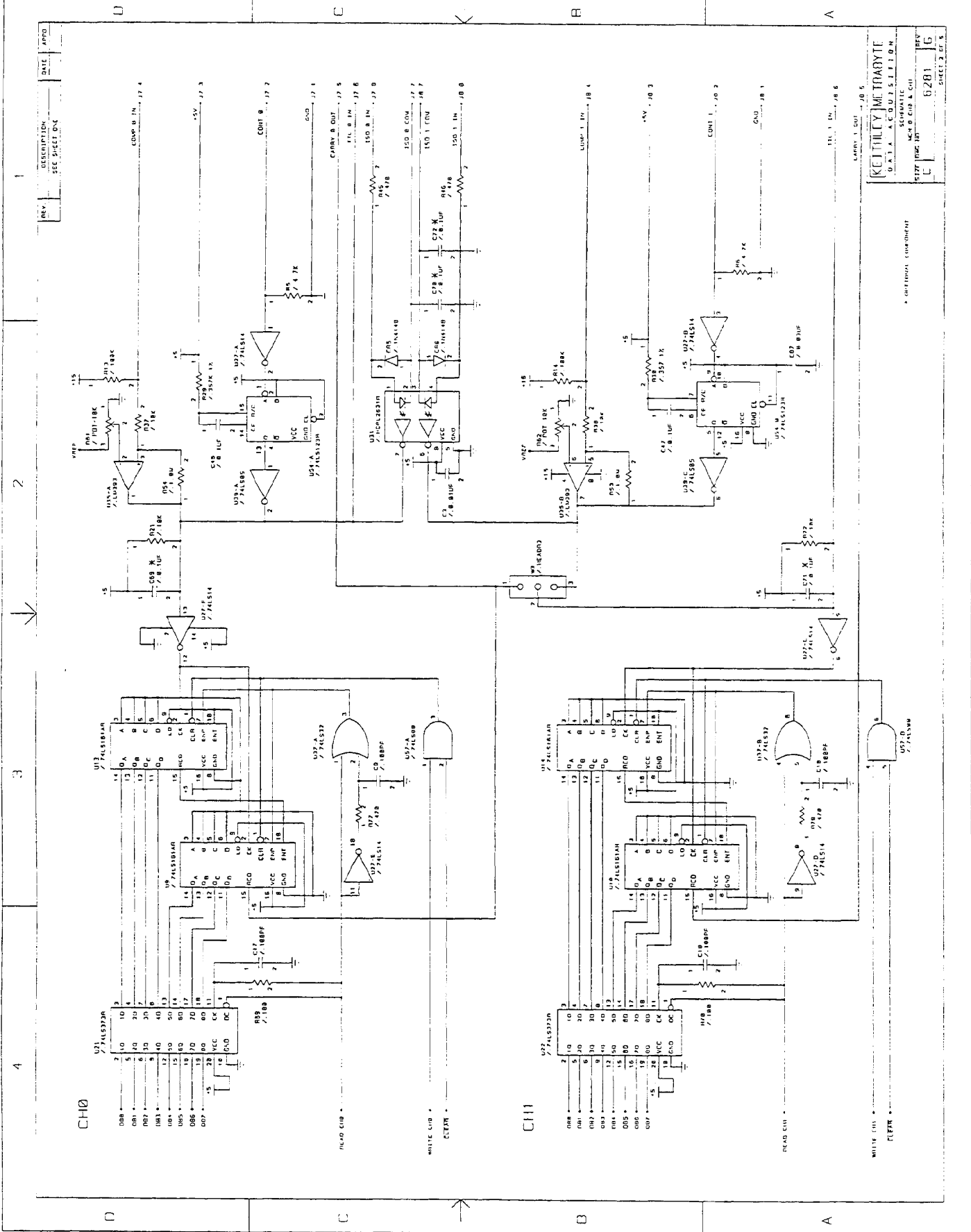
DATE	BY	CHKD	APPD
08/22/77	MM	MM	MM
08/22/77	MM	MM	MM
08/22/77	MM	MM	MM
08/22/77	MM	MM	MM

DATE	BY	CHKD	APPD
08/22/77	MM	MM	MM
08/22/77	MM	MM	MM
08/22/77	MM	MM	MM
08/22/77	MM	MM	MM

DATE	BY	CHKD	APPD
08/22/77	MM	MM	MM
08/22/77	MM	MM	MM
08/22/77	MM	MM	MM
08/22/77	MM	MM	MM

DATE	BY	CHKD	APPD
08/22/77	MM	MM	MM
08/22/77	MM	MM	MM
08/22/77	MM	MM	MM
08/22/77	MM	MM	MM

DATE	BY	CHKD	APPD
08/22/77	MM	MM	MM
08/22/77	MM	MM	MM
08/22/77	MM	MM	MM
08/22/77	MM	MM	MM

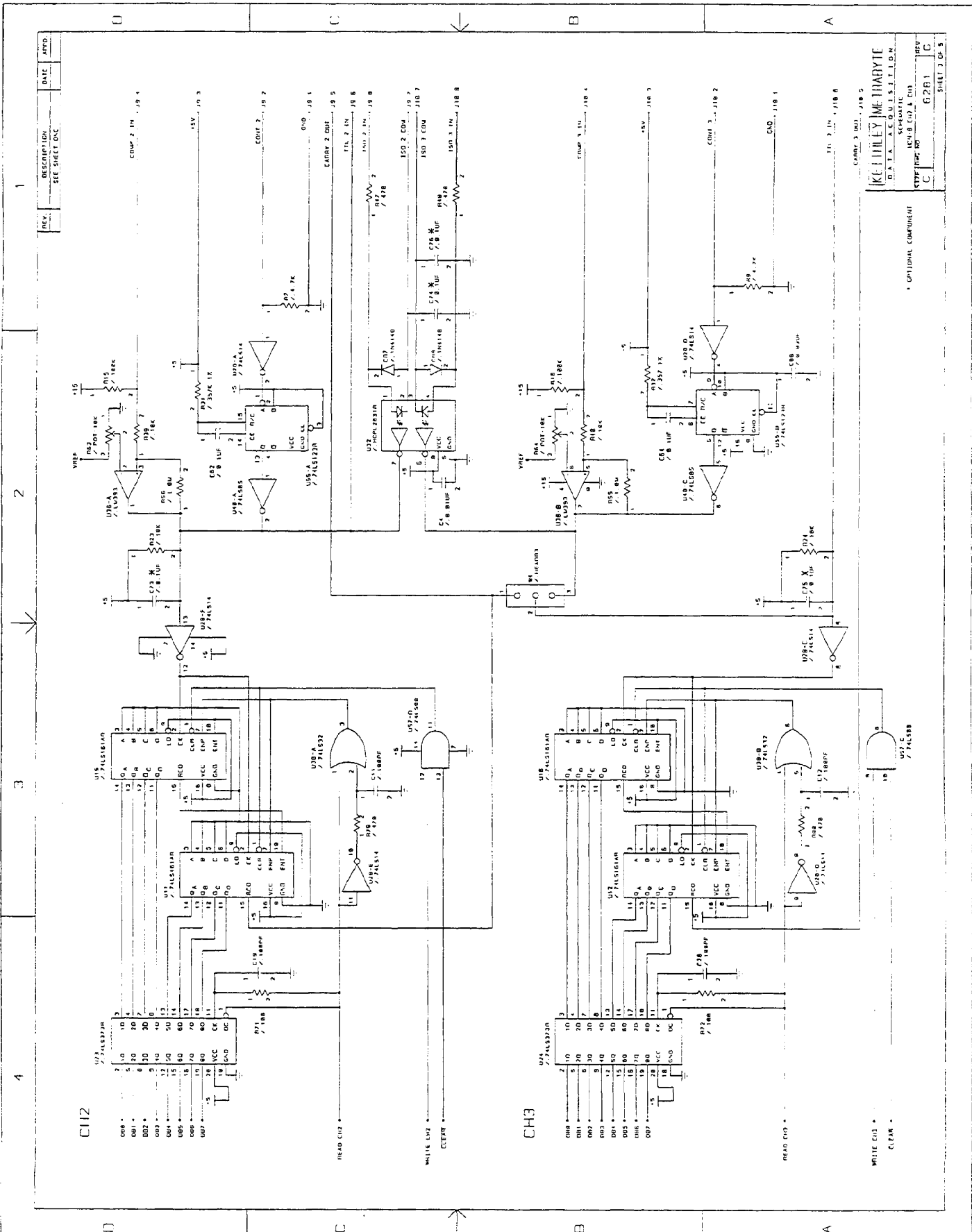


REV. _____ DATE _____ APPD. _____
DESCRIPTION: SEC SHEET ONE

REV.	DESCRIPTION	DATE	APPD.

KETILLY METADYTE
DATA ACQUISITION
SCHEMATIC
REV. C 10 8 81
1527 (REV. 10) 6281 16
C _____ DATE 10/8/81

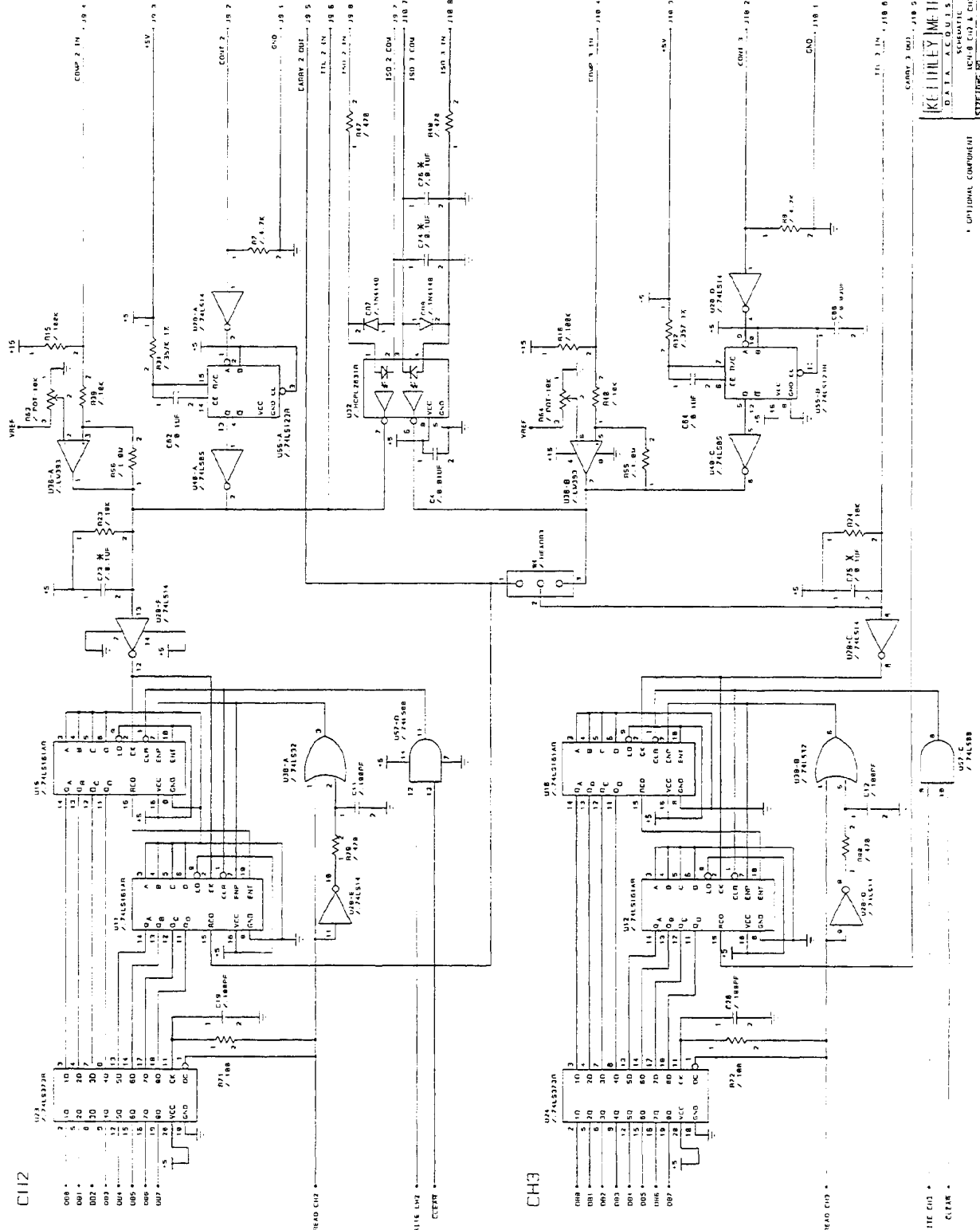
• OPTIONAL COMPONENT

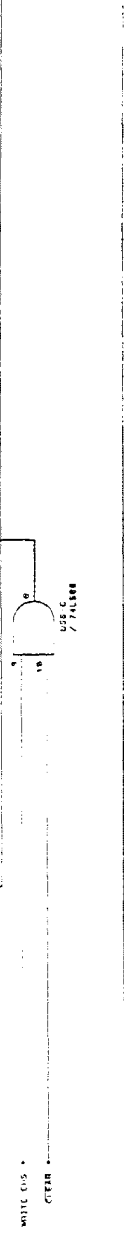
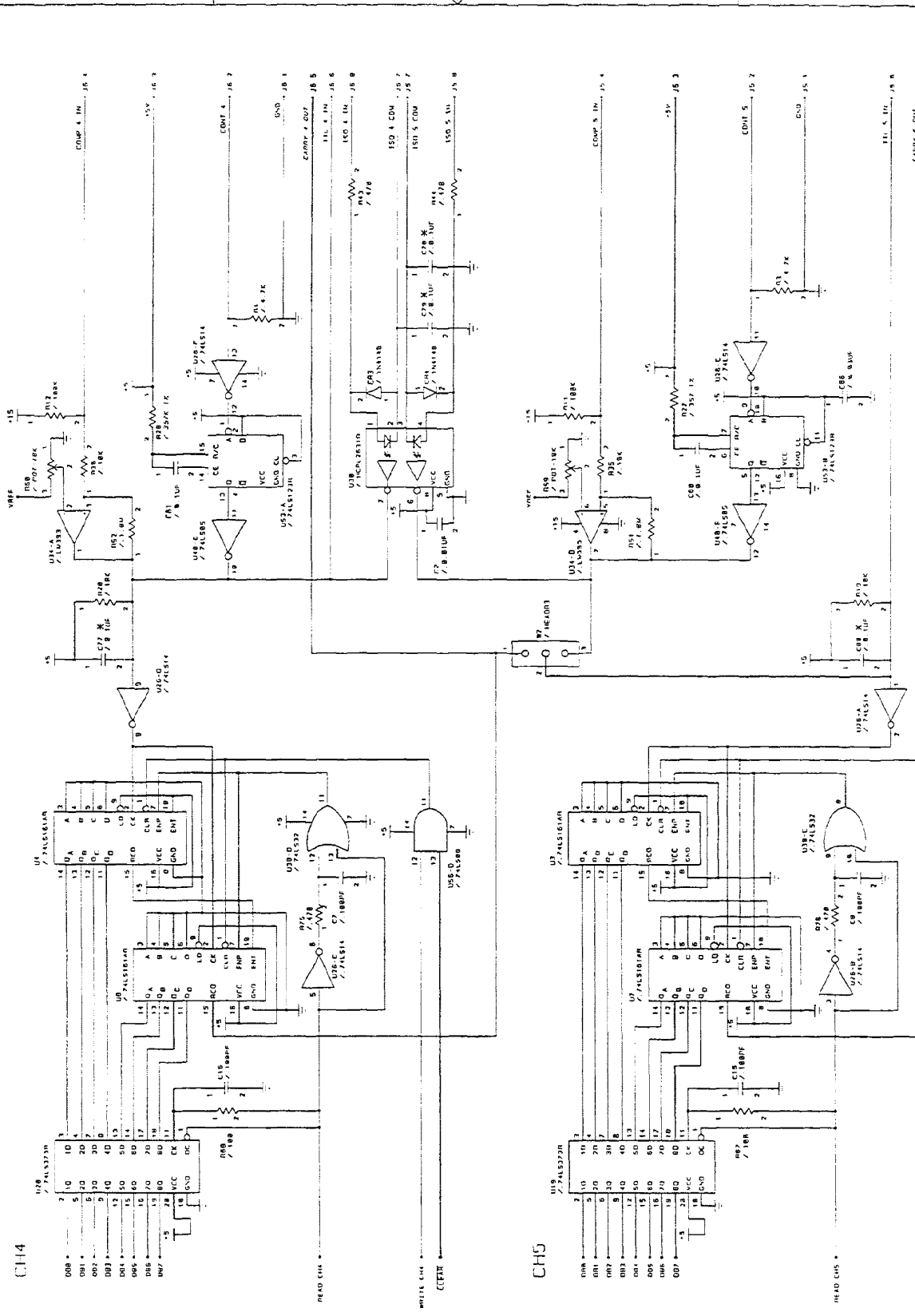


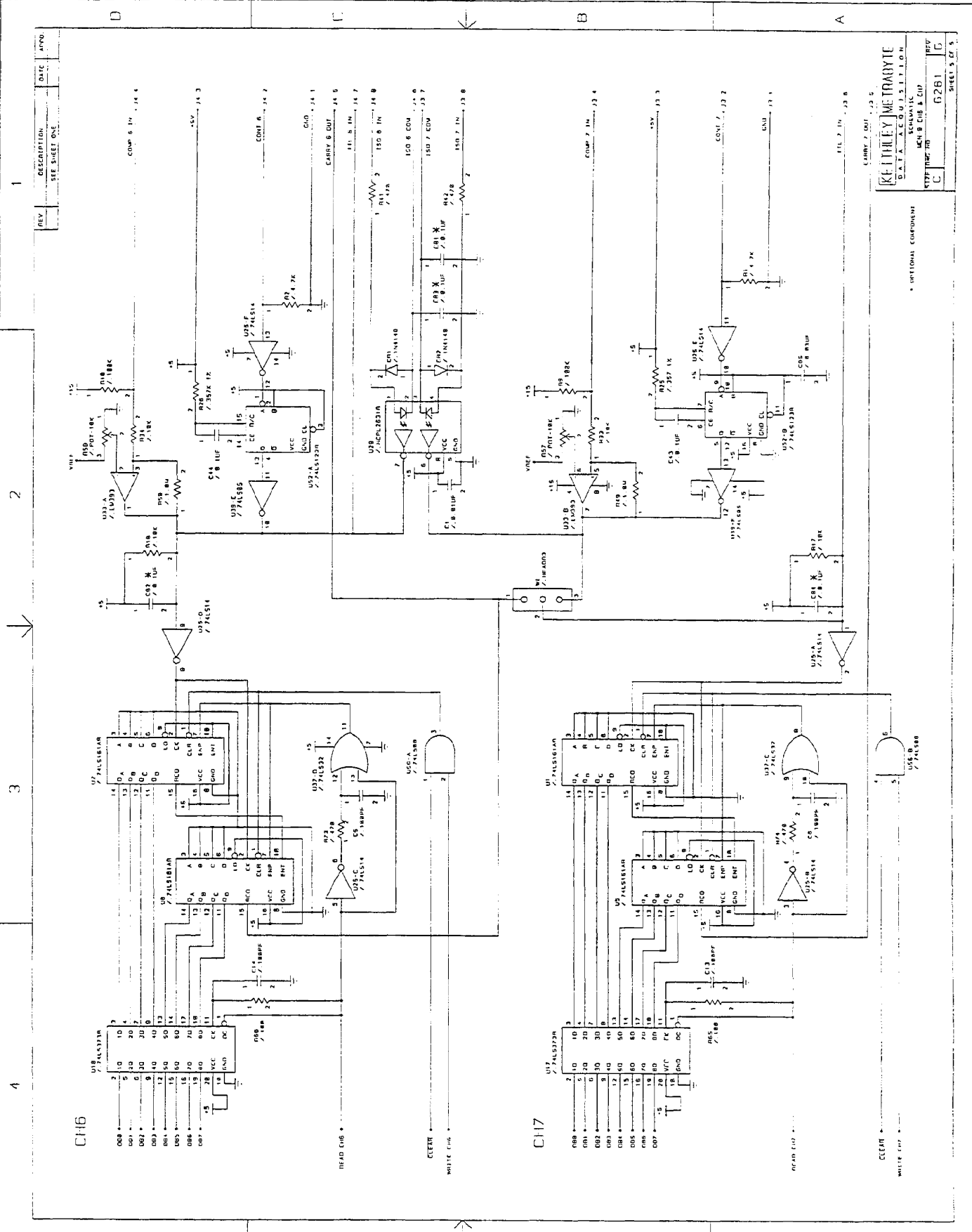
REV. _____ DESCRIPTION: SEE SHEET 01C DATE: _____

KEY: ILLIUMINARITE
 D.P.T.A. S.C.O.U.S.I.T.I.O.N.
 SCHEMATIC
 NEW-B (10 & CH)
 CTR (REV. 01)
 C 0281 C
 SHEET 3 OF 5

* OPTIONAL COMPONENT







REV	DESCRIPTION	DATE	APPRO
	SEE SHEET ONE		

UIC	APPD.

KATHLEEN M. TRACY
 SCHEMATIC
 MCN B CH6 & CH7
 K1371R01:00
 0281 G
 SHEET 5 OF 5

NATIONAL COMPONENT
 LUMPY Z OUT 23.5
 FIL 2 IN -13.8

CH6
 U18 / 74ALS138
 000 10
 001 20
 002 30
 003 40
 004 50
 005 60
 006 70
 007 80
 008 90
 009 10
 010 20
 011 30
 012 40
 013 50
 014 60
 015 70
 016 80
 017 90
 018 GND
 019 VCC
 020 18

CH7
 U17 / 74ALS138
 000 10
 001 20
 002 30
 003 40
 004 50
 005 60
 006 70
 007 80
 008 90
 009 10
 010 20
 011 30
 012 40
 013 50
 014 60
 015 70
 016 80
 017 90
 018 GND
 019 VCC
 020 18

HEAD END
 WRITE END
 READ END

REV DESCRIPTION DATE
SEE SHEET ONE

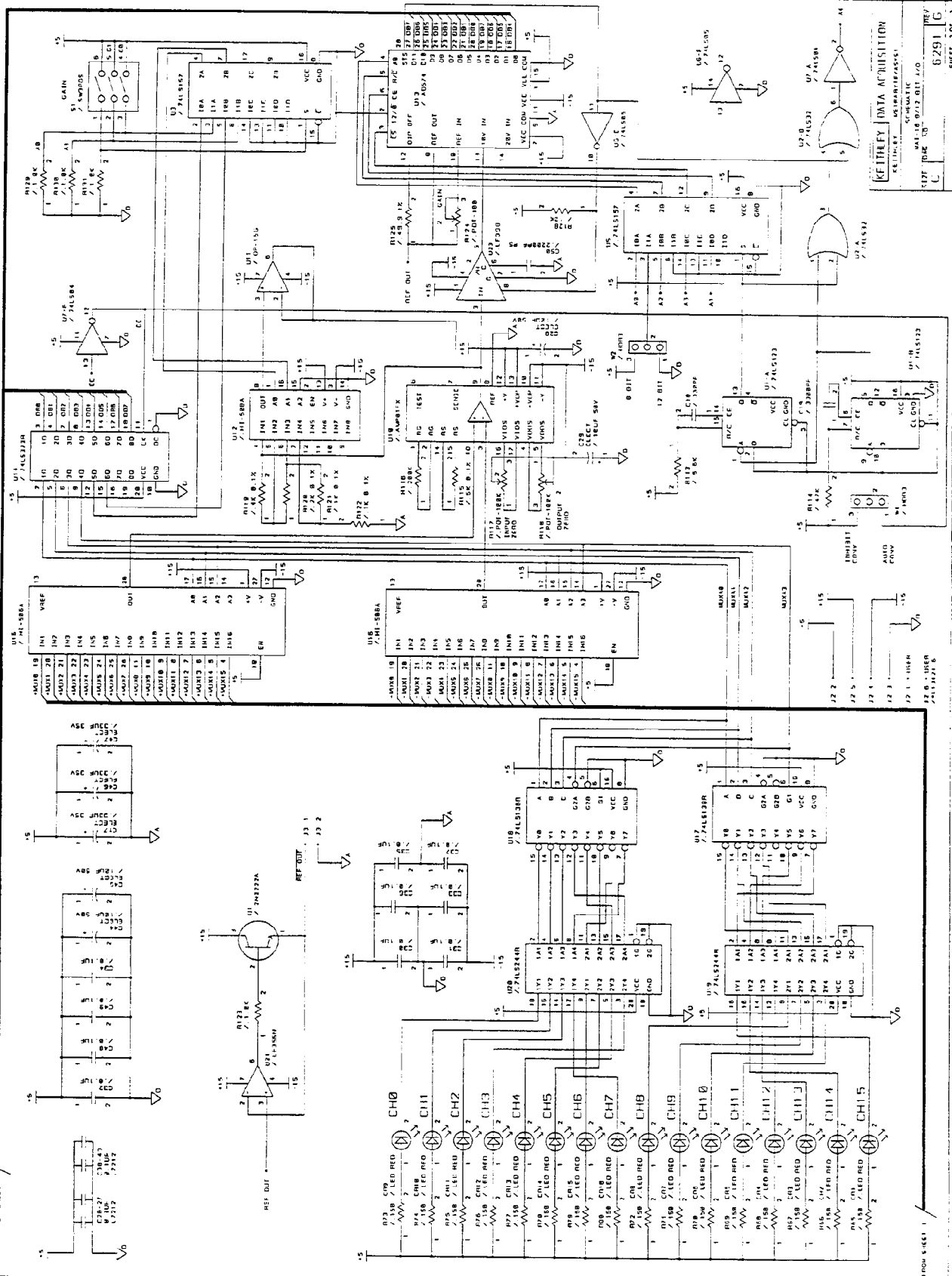
REV DESCRIPTION DATE

REV DESCRIPTION DATE

REV DESCRIPTION DATE

REV DESCRIPTION DATE

REV DESCRIPTION DATE



KEITHLEY DATA ACQUISITION
SHEET 3 OF 3

DATE: 6/29/81
REV: 1

DATE: 6/29/81
REV: 1

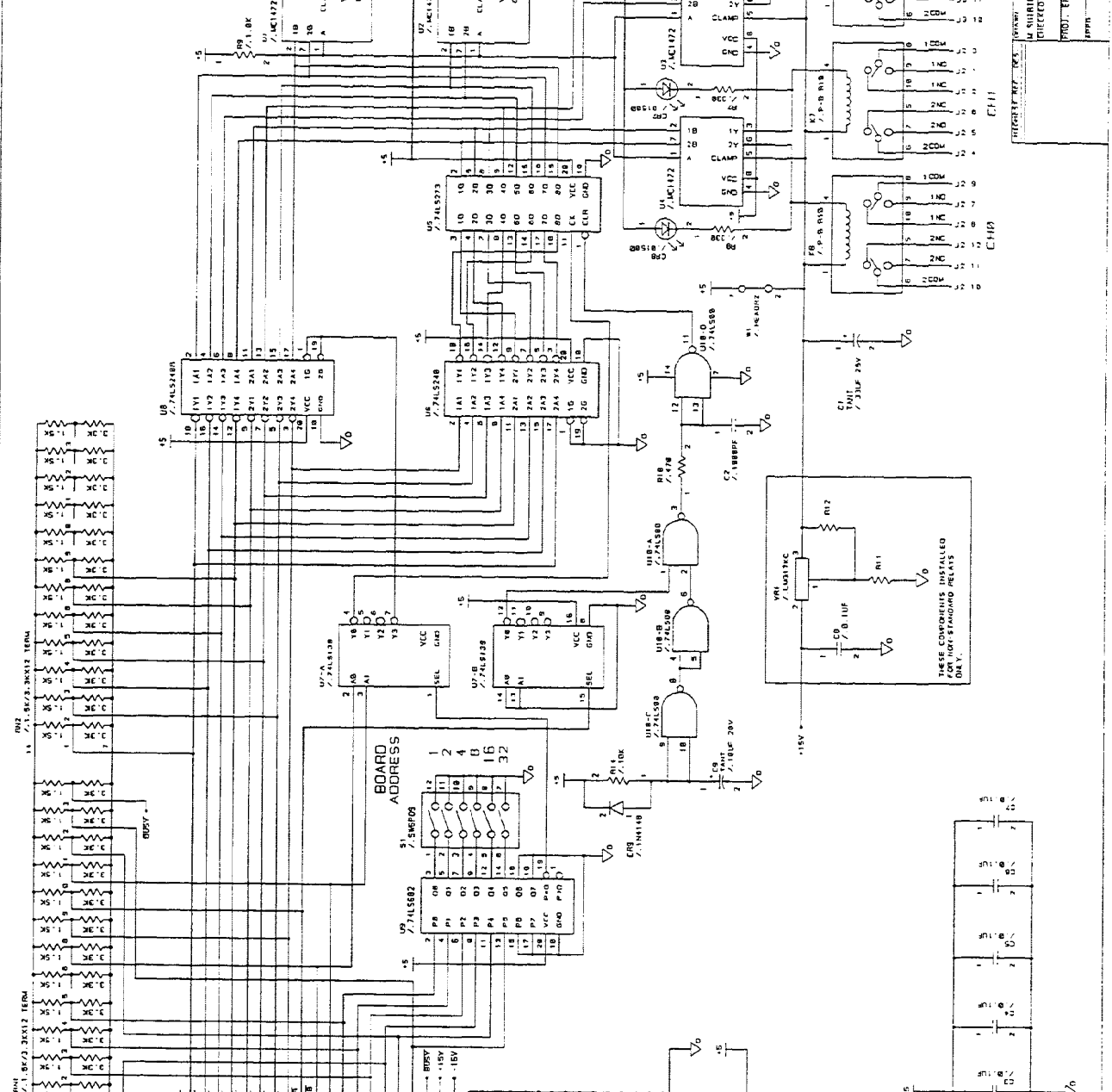
DATE: 6/29/81
REV: 1

DATE: 6/29/81
REV: 1

DATE: 6/29/81
REV: 1

DATE: 6/29/81
REV: 1

REV.	DESCRIPTION	DATE	APPD.
A	RELEASE		
B	ECO 1879		
C	ECO 1184		
D	ECO 2302, CAD REDRAW		



REV.	DESCRIPTION	DATE	APPD.
A	RELEASE		
B	ECO 1879		
C	ECO 1184		
D	ECO 2302, CAD REDRAW		

REV.	DATE	APPD.	SIZE	ENG NO.	REV.
6301					1

REV.	DATE	APPD.	SIZE	ENG NO.	REV.
6301					1

REV.	DATE	APPD.	SIZE	ENG NO.	REV.
6301					1

REV.	DATE	APPD.	SIZE	ENG NO.	REV.
6301					1

THESE COMPONENTS INSTALLED FOR NOT-STANDING RELAYS ONLY.

REITHLEY METRABYTE
DATA ACQUISITION
SYNCHRONIC
M498

SHEET 1 OF 1

REV.	DESCRIPTION	DATE	BY
A	ECO 1120		
D	ECO 1124		
C	ECO 1815		
D	ECO 2388 - CIR REVISION		

REV.	DESCRIPTION	DATE	BY
A	ECO 1120		
D	ECO 1124		
C	ECO 1815		
D	ECO 2388 - CIR REVISION		

REV.	DESCRIPTION	DATE	BY
A	ECO 1120		
D	ECO 1124		
C	ECO 1815		
D	ECO 2388 - CIR REVISION		

REV.	DESCRIPTION	DATE	BY
A	ECO 1120		
D	ECO 1124		
C	ECO 1815		
D	ECO 2388 - CIR REVISION		

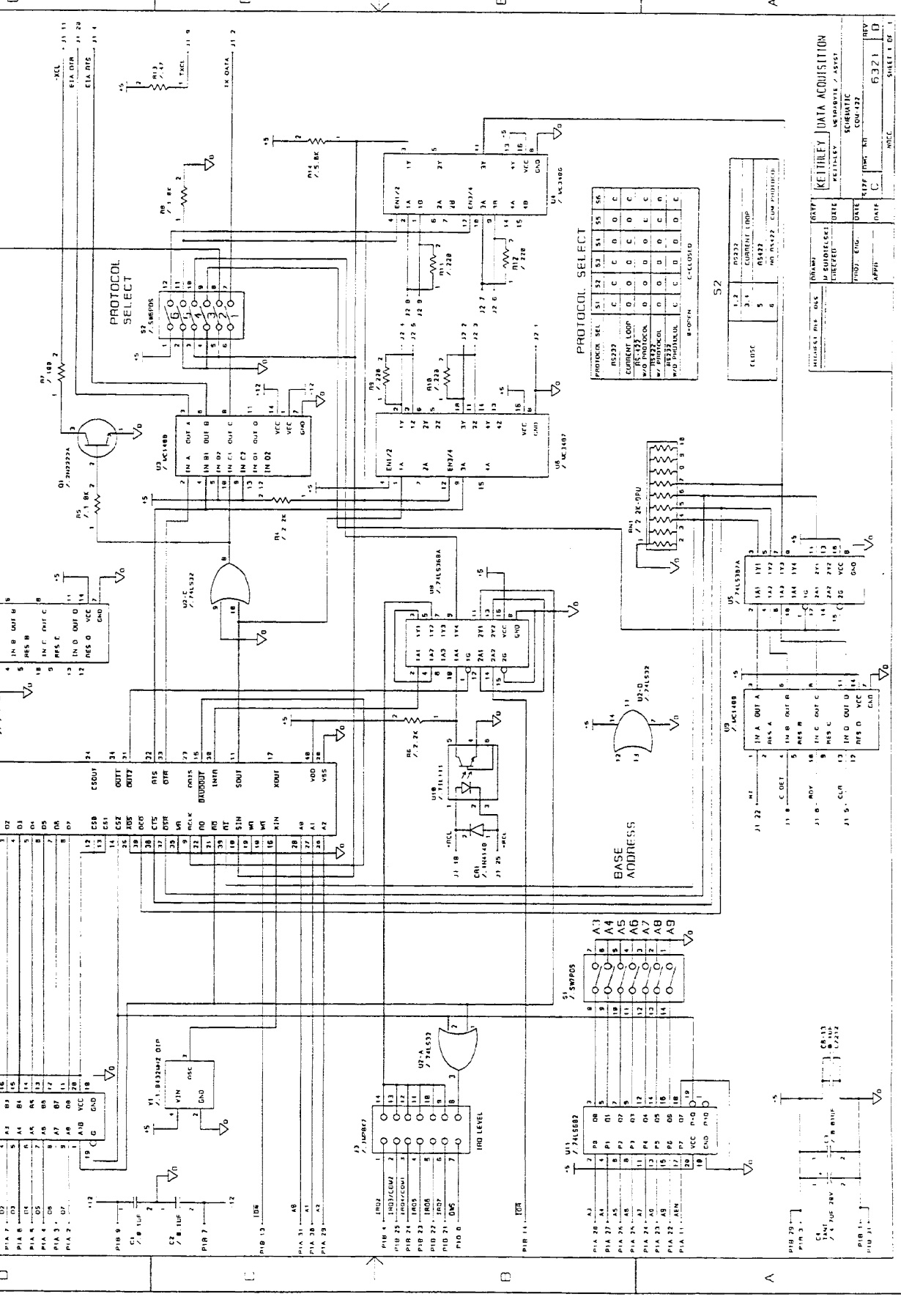
REV.	DESCRIPTION	DATE	BY
A	ECO 1120		
D	ECO 1124		
C	ECO 1815		
D	ECO 2388 - CIR REVISION		

REV.	DESCRIPTION	DATE	BY
A	ECO 1120		
D	ECO 1124		
C	ECO 1815		
D	ECO 2388 - CIR REVISION		

REV.	DESCRIPTION	DATE	BY
A	ECO 1120		
D	ECO 1124		
C	ECO 1815		
D	ECO 2388 - CIR REVISION		

REV.	DESCRIPTION	DATE	BY
A	ECO 1120		
D	ECO 1124		
C	ECO 1815		
D	ECO 2388 - CIR REVISION		

REV.	DESCRIPTION	DATE	BY
A	ECO 1120		
D	ECO 1124		
C	ECO 1815		
D	ECO 2388 - CIR REVISION		



REV.	DESCRIPTION	DATE	BY
A	ECO 1120		
D	ECO 1124		
C	ECO 1815		
D	ECO 2388 - CIR REVISION		

REV.	DESCRIPTION	DATE	BY
A	ECO 1120		
D	ECO 1124		
C	ECO 1815		
D	ECO 2388 - CIR REVISION		

REV.	DESCRIPTION	DATE	BY
A	ECO 1120		
D	ECO 1124		
C	ECO 1815		
D	ECO 2388 - CIR REVISION		

REV.	DESCRIPTION	DATE	BY
A	ECO 1120		
D	ECO 1124		
C	ECO 1815		
D	ECO 2388 - CIR REVISION		

REV.	DESCRIPTION	DATE	BY
A	ECO 1120		
D	ECO 1124		
C	ECO 1815		
D	ECO 2388 - CIR REVISION		

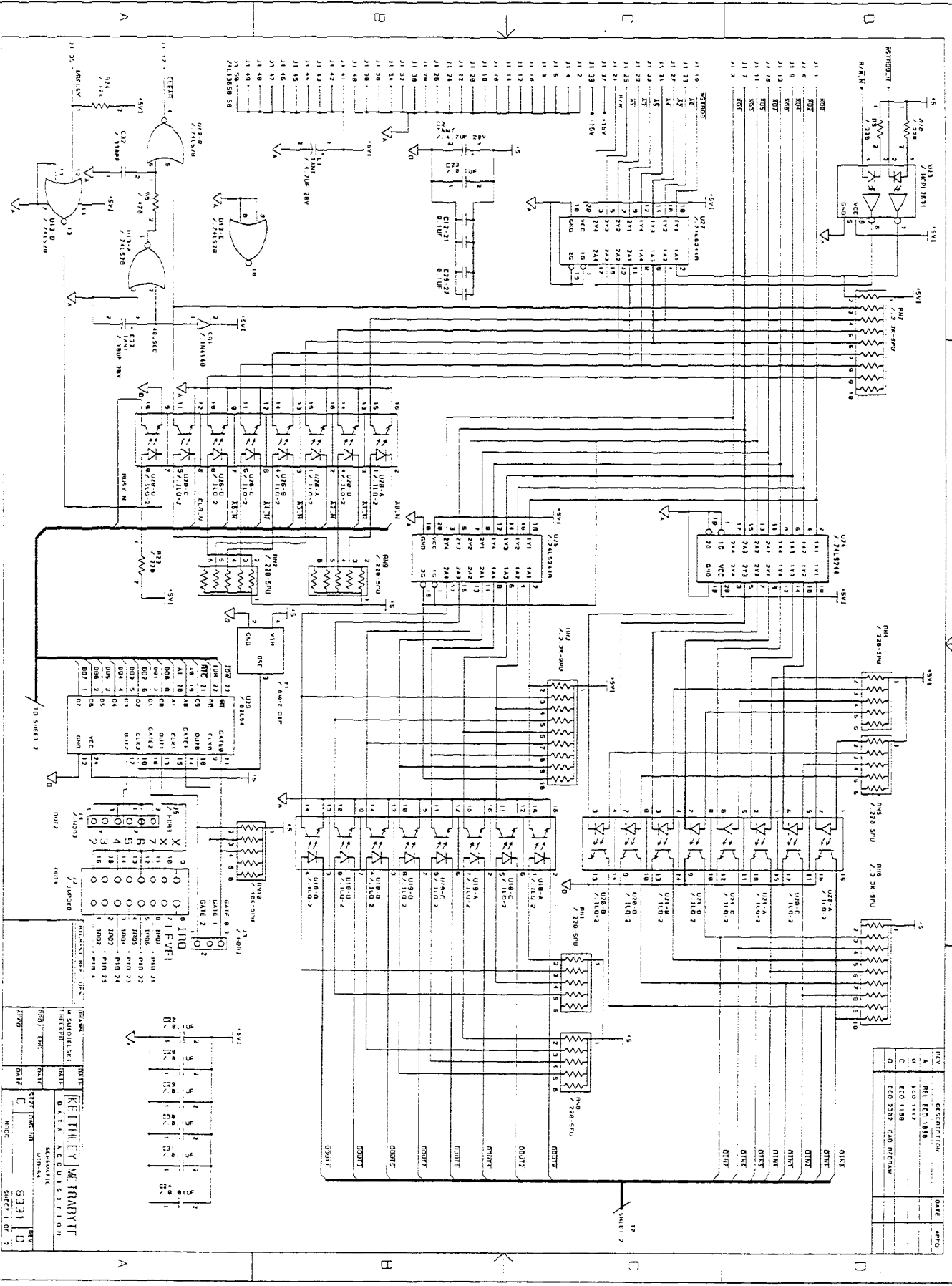
REV.	DESCRIPTION	DATE	BY
A	ECO 1120		
D	ECO 1124		
C	ECO 1815		
D	ECO 2388 - CIR REVISION		

REV.	DESCRIPTION	DATE	BY
A	ECO 1120		
D	ECO 1124		
C	ECO 1815		
D	ECO 2388 - CIR REVISION		

REV.	DESCRIPTION	DATE	BY
A	ECO 1120		
D	ECO 1124		
C	ECO 1815		
D	ECO 2388 - CIR REVISION		

SHEET 1 OF 1
 DATE: 8.3.21
 BY: [Signature]
 TITLE: DATA ACQUISITION
 PROJECT: SCHEMATIC
 DRAWING NO: [Number]
 SHEET NO: [Number]

REV	DESCRIPTION	DATE	APPRO
A	REL ECO 1858		
B	ECO 1117		
C	ECO 1188		
D	ECO 2387 CAD REVISION		



U13-1 / HPR13B11
 U13-2 / HPR13B11
 U13-3 / HPR13B11
 U13-4 / HPR13B11
 U13-5 / HPR13B11
 U13-6 / HPR13B11
 U13-7 / HPR13B11
 U13-8 / HPR13B11
 U13-9 / HPR13B11
 U13-10 / HPR13B11
 U13-11 / HPR13B11
 U13-12 / HPR13B11
 U13-13 / HPR13B11
 U13-14 / HPR13B11
 U13-15 / HPR13B11
 U13-16 / HPR13B11
 U13-17 / HPR13B11
 U13-18 / HPR13B11
 U13-19 / HPR13B11
 U13-20 / HPR13B11
 U13-21 / HPR13B11
 U13-22 / HPR13B11
 U13-23 / HPR13B11
 U13-24 / HPR13B11
 U13-25 / HPR13B11
 U13-26 / HPR13B11
 U13-27 / HPR13B11
 U13-28 / HPR13B11
 U13-29 / HPR13B11
 U13-30 / HPR13B11
 U13-31 / HPR13B11
 U13-32 / HPR13B11
 U13-33 / HPR13B11
 U13-34 / HPR13B11
 U13-35 / HPR13B11
 U13-36 / HPR13B11
 U13-37 / HPR13B11
 U13-38 / HPR13B11
 U13-39 / HPR13B11
 U13-40 / HPR13B11
 U13-41 / HPR13B11
 U13-42 / HPR13B11
 U13-43 / HPR13B11
 U13-44 / HPR13B11
 U13-45 / HPR13B11
 U13-46 / HPR13B11
 U13-47 / HPR13B11
 U13-48 / HPR13B11
 U13-49 / HPR13B11
 U13-50 / HPR13B11
 U13-51 / HPR13B11
 U13-52 / HPR13B11
 U13-53 / HPR13B11
 U13-54 / HPR13B11
 U13-55 / HPR13B11
 U13-56 / HPR13B11
 U13-57 / HPR13B11
 U13-58 / HPR13B11
 U13-59 / HPR13B11
 U13-60 / HPR13B11
 U13-61 / HPR13B11
 U13-62 / HPR13B11
 U13-63 / HPR13B11
 U13-64 / HPR13B11
 U13-65 / HPR13B11
 U13-66 / HPR13B11
 U13-67 / HPR13B11
 U13-68 / HPR13B11
 U13-69 / HPR13B11
 U13-70 / HPR13B11
 U13-71 / HPR13B11
 U13-72 / HPR13B11
 U13-73 / HPR13B11
 U13-74 / HPR13B11
 U13-75 / HPR13B11
 U13-76 / HPR13B11
 U13-77 / HPR13B11
 U13-78 / HPR13B11
 U13-79 / HPR13B11
 U13-80 / HPR13B11
 U13-81 / HPR13B11
 U13-82 / HPR13B11
 U13-83 / HPR13B11
 U13-84 / HPR13B11
 U13-85 / HPR13B11
 U13-86 / HPR13B11
 U13-87 / HPR13B11
 U13-88 / HPR13B11
 U13-89 / HPR13B11
 U13-90 / HPR13B11
 U13-91 / HPR13B11
 U13-92 / HPR13B11
 U13-93 / HPR13B11
 U13-94 / HPR13B11
 U13-95 / HPR13B11
 U13-96 / HPR13B11
 U13-97 / HPR13B11
 U13-98 / HPR13B11
 U13-99 / HPR13B11
 U13-100 / HPR13B11

DATE	BY	CHKD	APPD
10/20/53	KEITH EYME THAVATTE		
10/21/53			
10/22/53			
10/23/53			
10/24/53			
10/25/53			
10/26/53			
10/27/53			
10/28/53			
10/29/53			
10/30/53			
10/31/53			
11/01/53			
11/02/53			
11/03/53			
11/04/53			
11/05/53			
11/06/53			
11/07/53			
11/08/53			
11/09/53			
11/10/53			
11/11/53			
11/12/53			
11/13/53			
11/14/53			
11/15/53			
11/16/53			
11/17/53			
11/18/53			
11/19/53			
11/20/53			
11/21/53			
11/22/53			
11/23/53			
11/24/53			
11/25/53			
11/26/53			
11/27/53			
11/28/53			
11/29/53			
11/30/53			
12/01/53			
12/02/53			
12/03/53			
12/04/53			
12/05/53			
12/06/53			
12/07/53			
12/08/53			
12/09/53			
12/10/53			
12/11/53			
12/12/53			
12/13/53			
12/14/53			
12/15/53			
12/16/53			
12/17/53			
12/18/53			
12/19/53			
12/20/53			
12/21/53			
12/22/53			
12/23/53			
12/24/53			
12/25/53			
12/26/53			
12/27/53			
12/28/53			
12/29/53			
12/30/53			
12/31/53			

KEITH EYME THAVATTE
 S331 D
 SHEET 1 OF 3

FROM SHEET 1

DESCRIPTION
SEE SHEET ONE

REV. NO. DATE APP'D

1 2 3 4

A B C D

DESCRIPTION
SEE SHEET ONE

REV. NO. DATE APP'D

1 2 3 4

A B C D

DESCRIPTION
SEE SHEET ONE

REV. NO. DATE APP'D

1 2 3 4

A B C D

DESCRIPTION
SEE SHEET ONE

REV. NO. DATE APP'D

1 2 3 4

A B C D

DESCRIPTION
SEE SHEET ONE

REV. NO. DATE APP'D

1 2 3 4

A B C D

DESCRIPTION
SEE SHEET ONE

REV. NO. DATE APP'D

1 2 3 4

A B C D

DESCRIPTION
SEE SHEET ONE

REV. NO. DATE APP'D

1 2 3 4

A B C D

DESCRIPTION
SEE SHEET ONE

REV. NO. DATE APP'D

1 2 3 4

A B C D

DESCRIPTION
SEE SHEET ONE

REV. NO. DATE APP'D

1 2 3 4

A B C D

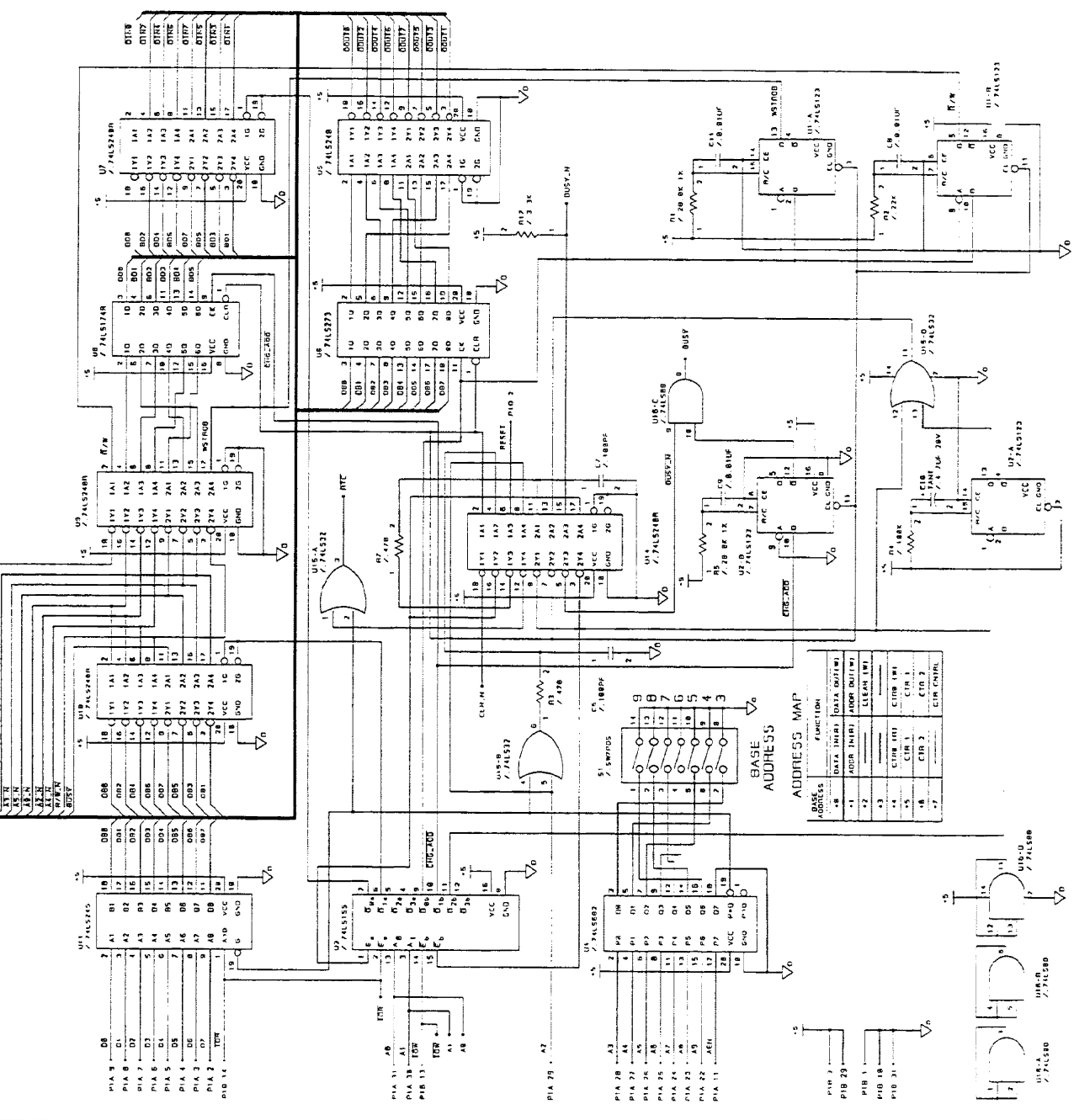
DESCRIPTION
SEE SHEET ONE

REV. NO. DATE APP'D

1 2 3 4

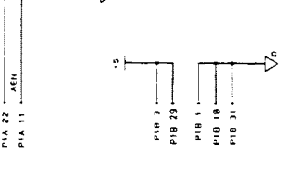
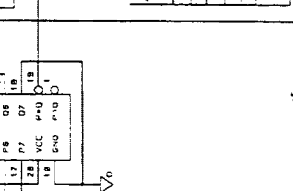
A B C D

KEYLEY INC TRADYTC
DATA ACQUISITION
SCHEMATIC
MID 84
REV. 03/11
SHEET 2 OF 2



ADDRESS MAP

ADDRESS	FUNCTION
00	DATA INPUT
01	DATA OUTPUT
02	ADDR INPUT
03	ADDR OUTPUT
04	CLEAR
05	CLR IN
06	CLR IN
07	CLR IN
08	CLR IN
09	CLR IN
10	CLR IN
11	CLR IN
12	CLR IN
13	CLR IN
14	CLR IN
15	CLR IN
16	CLR IN
17	CLR IN
18	CLR IN
19	CLR IN
20	CLR IN
21	CLR IN
22	CLR IN
23	CLR IN
24	CLR IN
25	CLR IN
26	CLR IN
27	CLR IN
28	CLR IN
29	CLR IN
30	CLR IN
31	CLR IN



REV.	DESCRIPTION	DATE	APP'D.
A	RELEASE		
B	ECO 114		
C	ECO 233 CAD PERFORM		

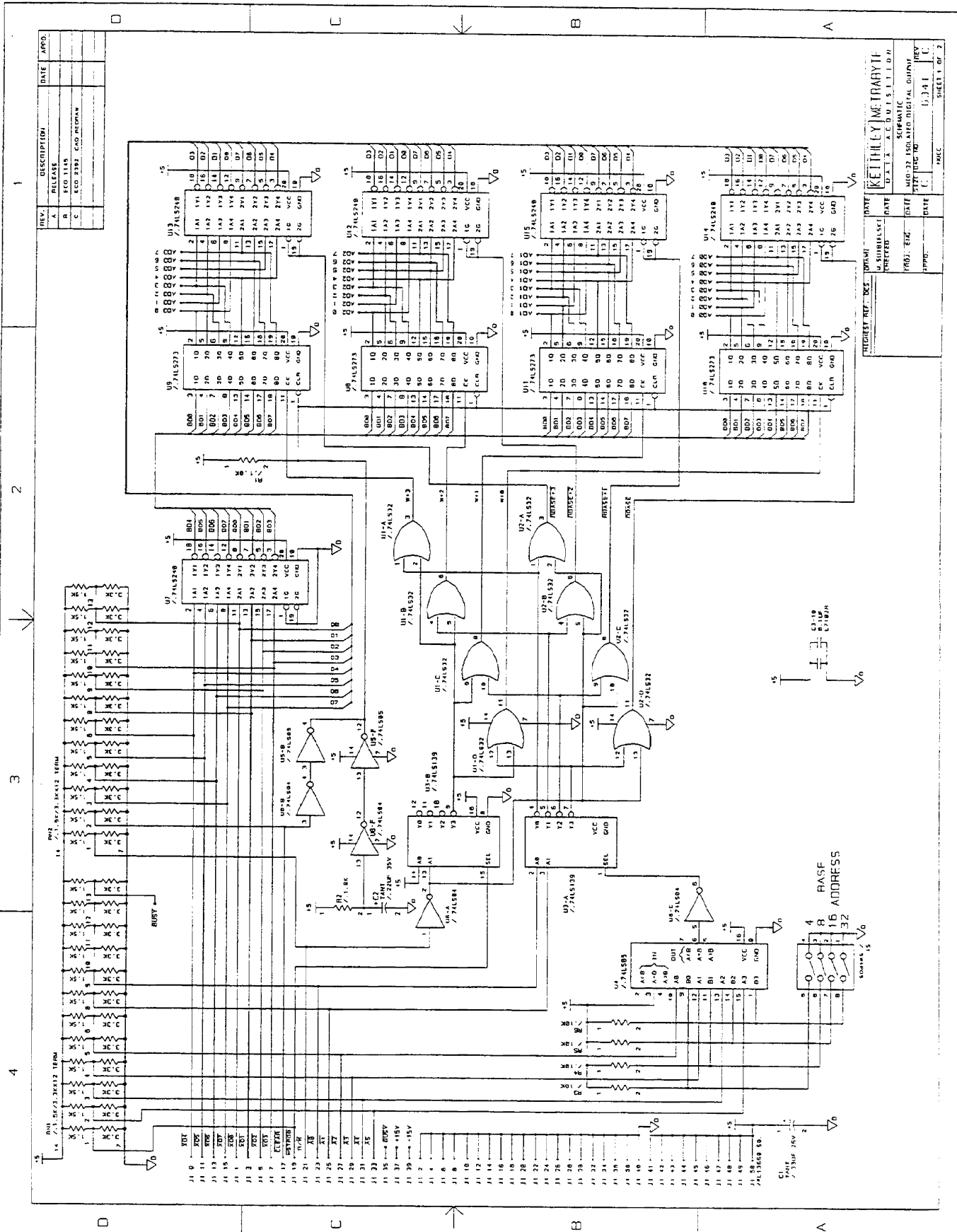
REV.	DESCRIPTION	DATE	APP'D.
A	RELEASE		
B	ECO 114		
C	ECO 233 CAD PERFORM		

REV.	DESCRIPTION	DATE	APP'D.
A	RELEASE		
B	ECO 114		
C	ECO 233 CAD PERFORM		

REV.	DESCRIPTION	DATE	APP'D.
A	RELEASE		
B	ECO 114		
C	ECO 233 CAD PERFORM		

REV.	DESCRIPTION	DATE	APP'D.
A	RELEASE		
B	ECO 114		
C	ECO 233 CAD PERFORM		

KETHILLY METRBYTF
 MID-32 ISOLATED DIGITAL OUTPUT
 DATE: 10/31/11
 SHEET 1 OF 2



1

2

3

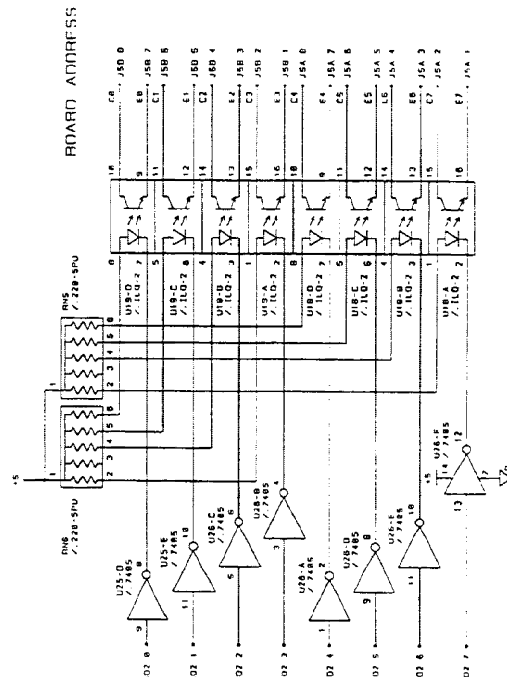
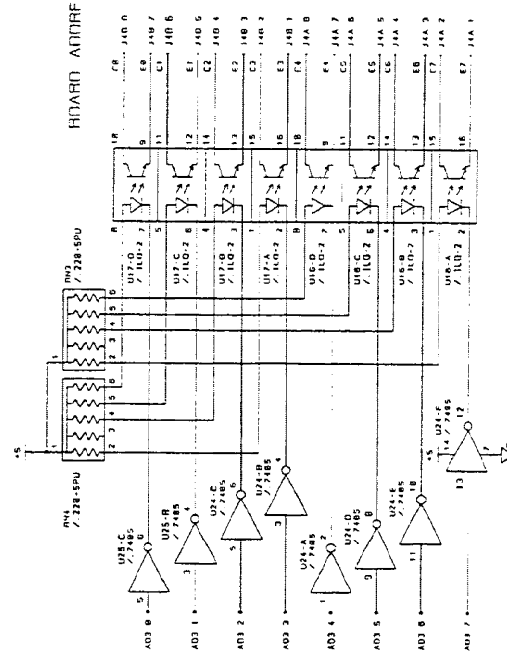
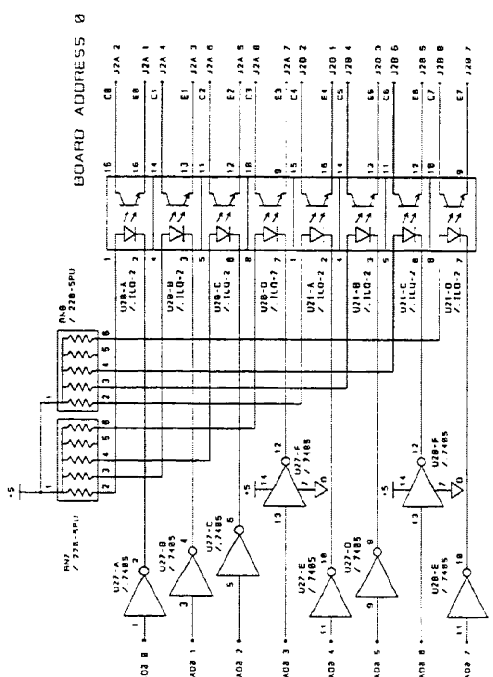
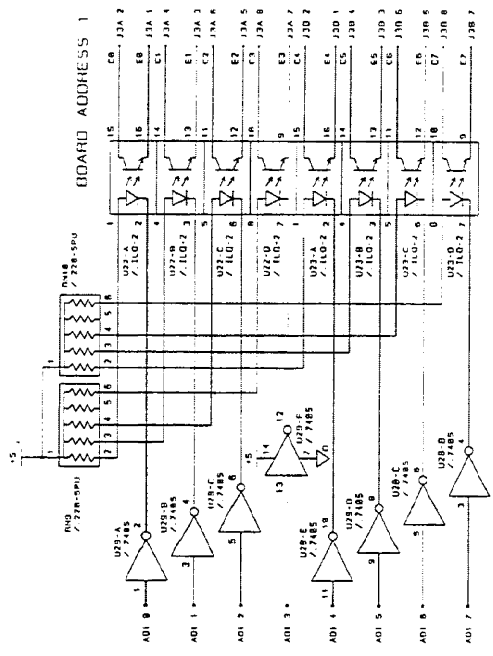
4

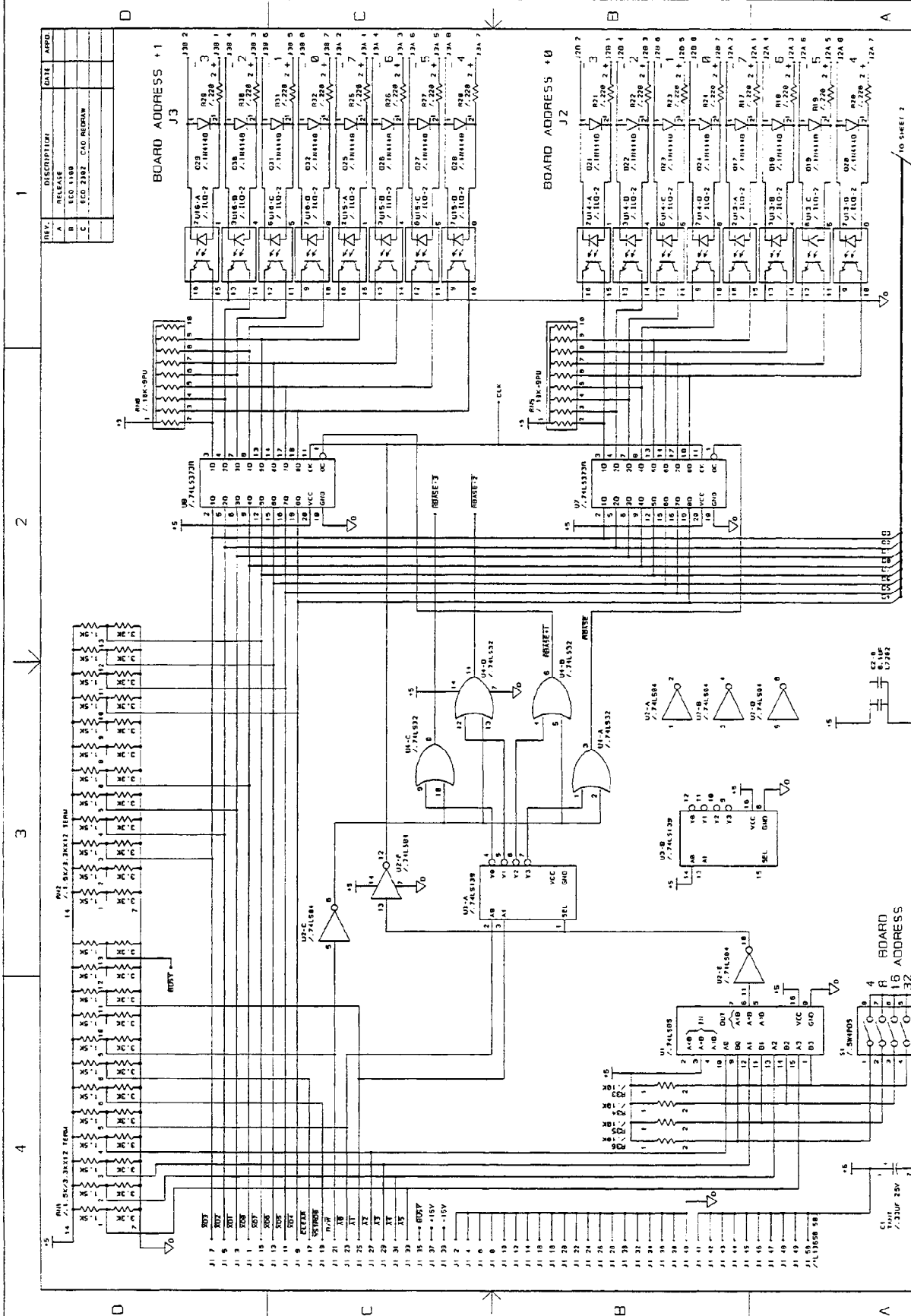
D

C

B

A





REV.	DESCRIPTION	DATE	APPD.
A	RELEASE		
B	ECO 1189		
C	ECO 2192 CAD IMPROV		

REV.	DESCRIPTION	DATE	APPD.
A	RELEASE		
B	ECO 1189		
C	ECO 2192 CAD IMPROV		

DATE	BY	CHKD.	APPD.

DATE	BY	CHKD.	APPD.

DATE	BY	CHKD.	APPD.

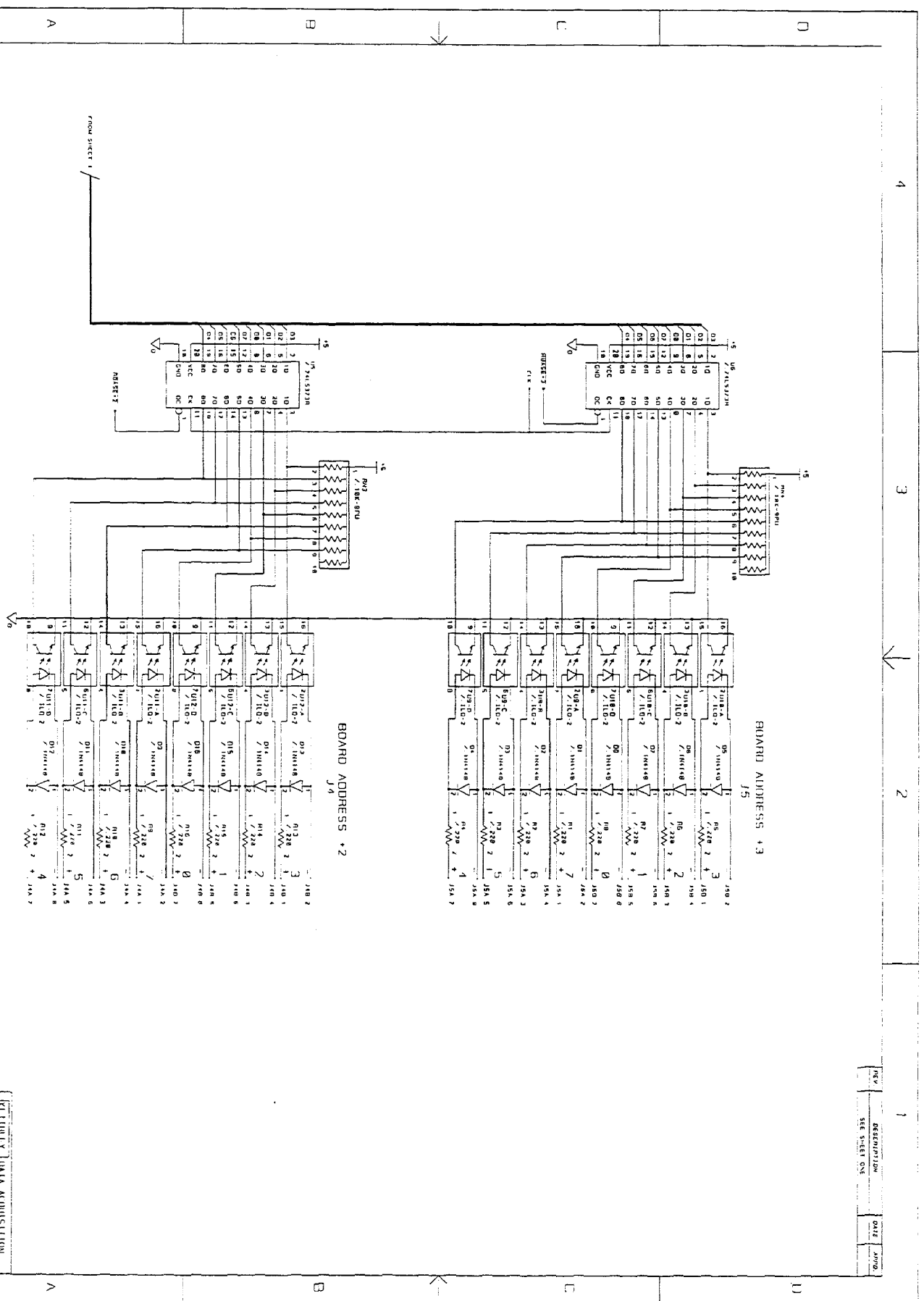
DATE	BY	CHKD.	APPD.

DATE	BY	CHKD.	APPD.

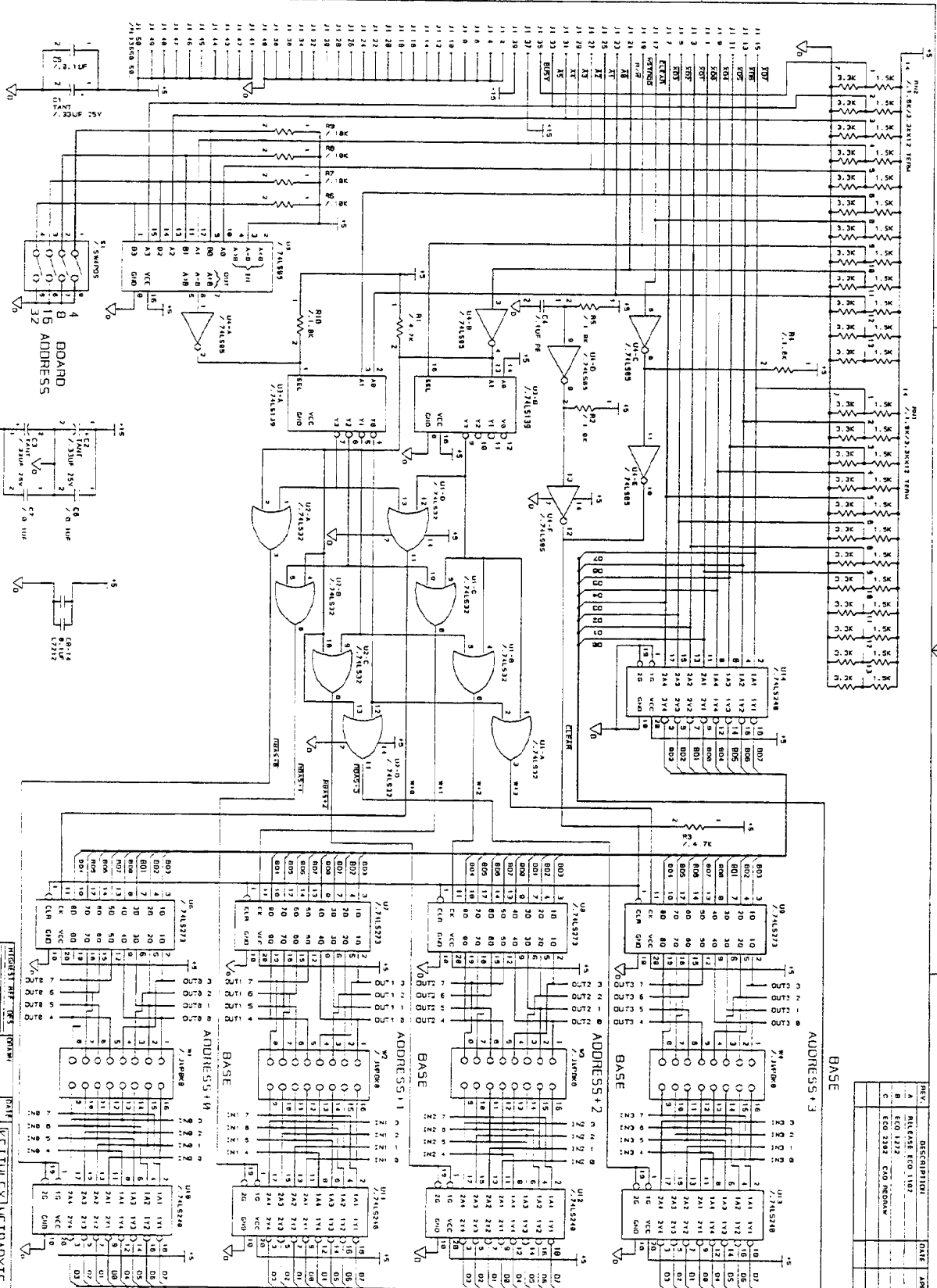
DATE	BY	CHKD.	APPD.

DATE	BY	CHKD.	APPD.

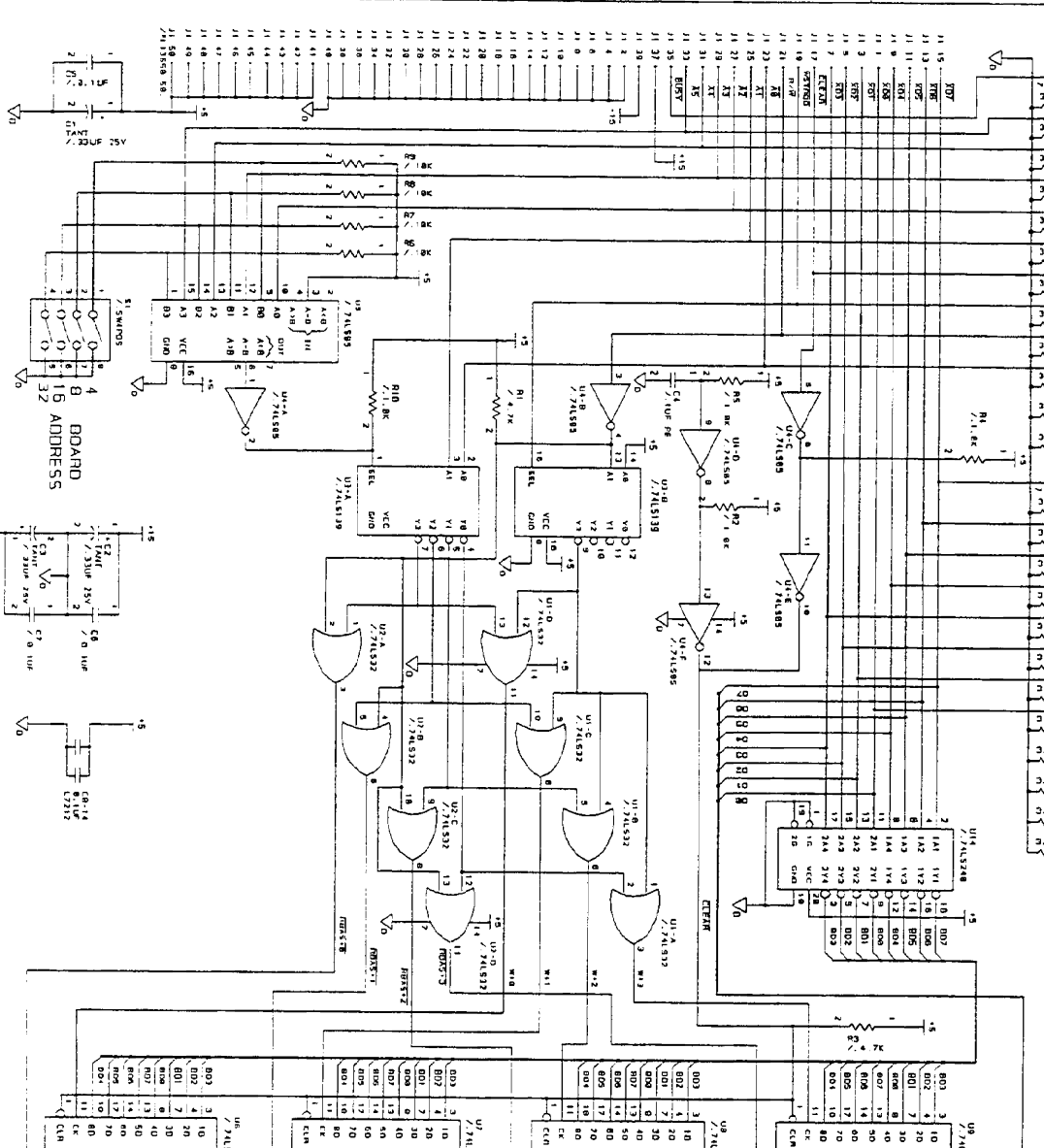
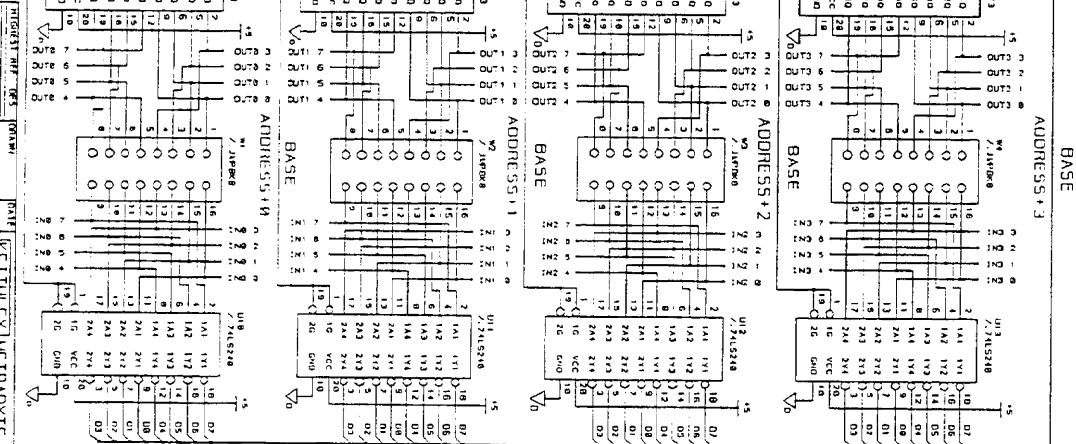
KETTHLEY METRABYTE
 DATE: 6.351
 SIZE: 6.351
 SHEET: 1 OF 2



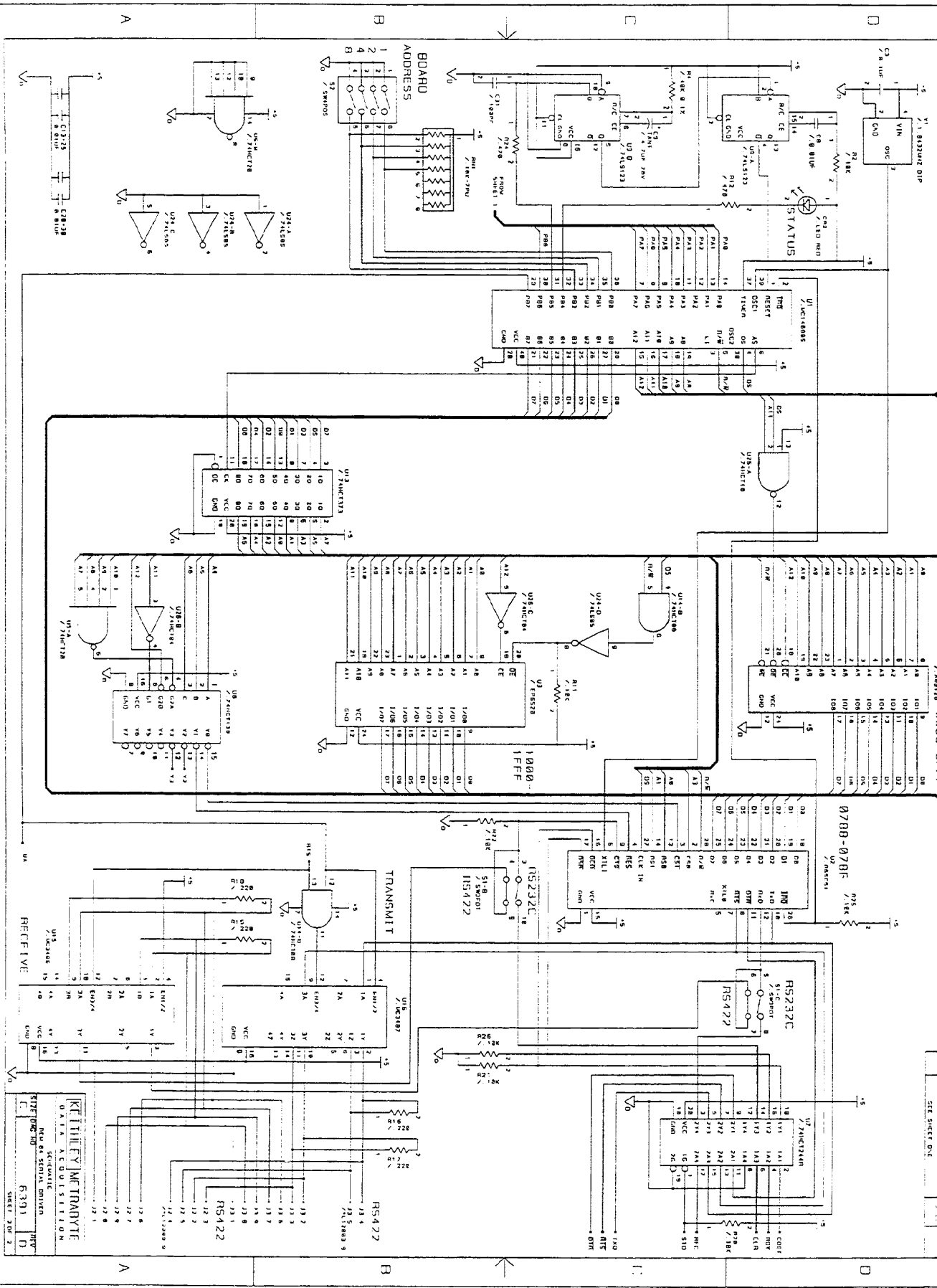
FROM SHEET 1



REV.	DESCRIPTION	DATE	BY
A	RELEASE EEO 1107		
B	EEO 12112		
C	EEO 12812 CIO MEMPHIS		

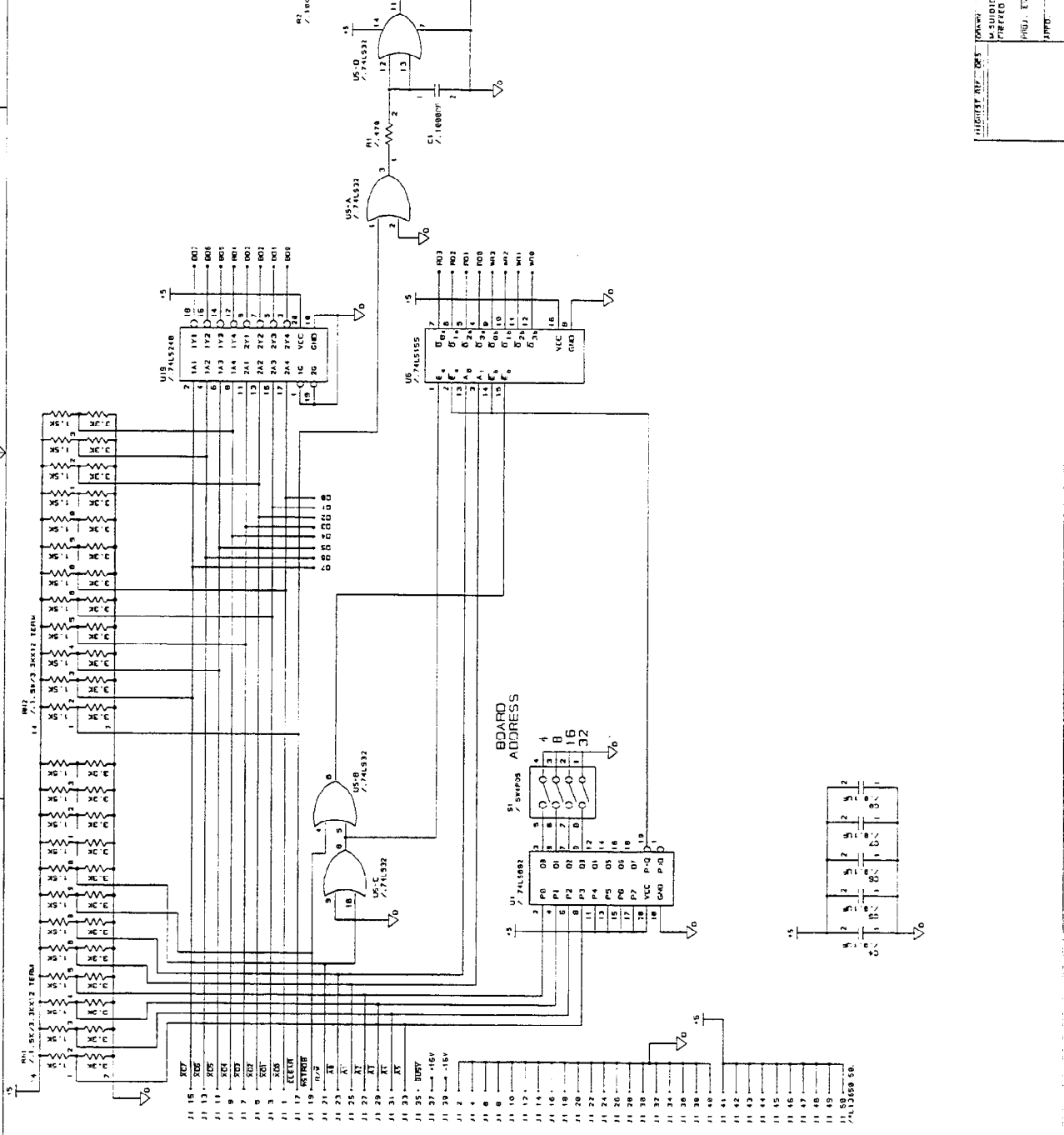


KEITHLEY METRABYTE
 4000 UNIVERSITY AVENUE
 OAKLAND, CALIFORNIA 94612
 (415) 762-1000
 FAX (415) 762-1001
 MODEL 6371
 SERIAL 6371 C
 SHEET 1 OF 3



KEYLEY MATRYATE
SCHEMATIC
DATA ACQUISITION
REV. 03/01/80
6391 D
SHEET 0-2

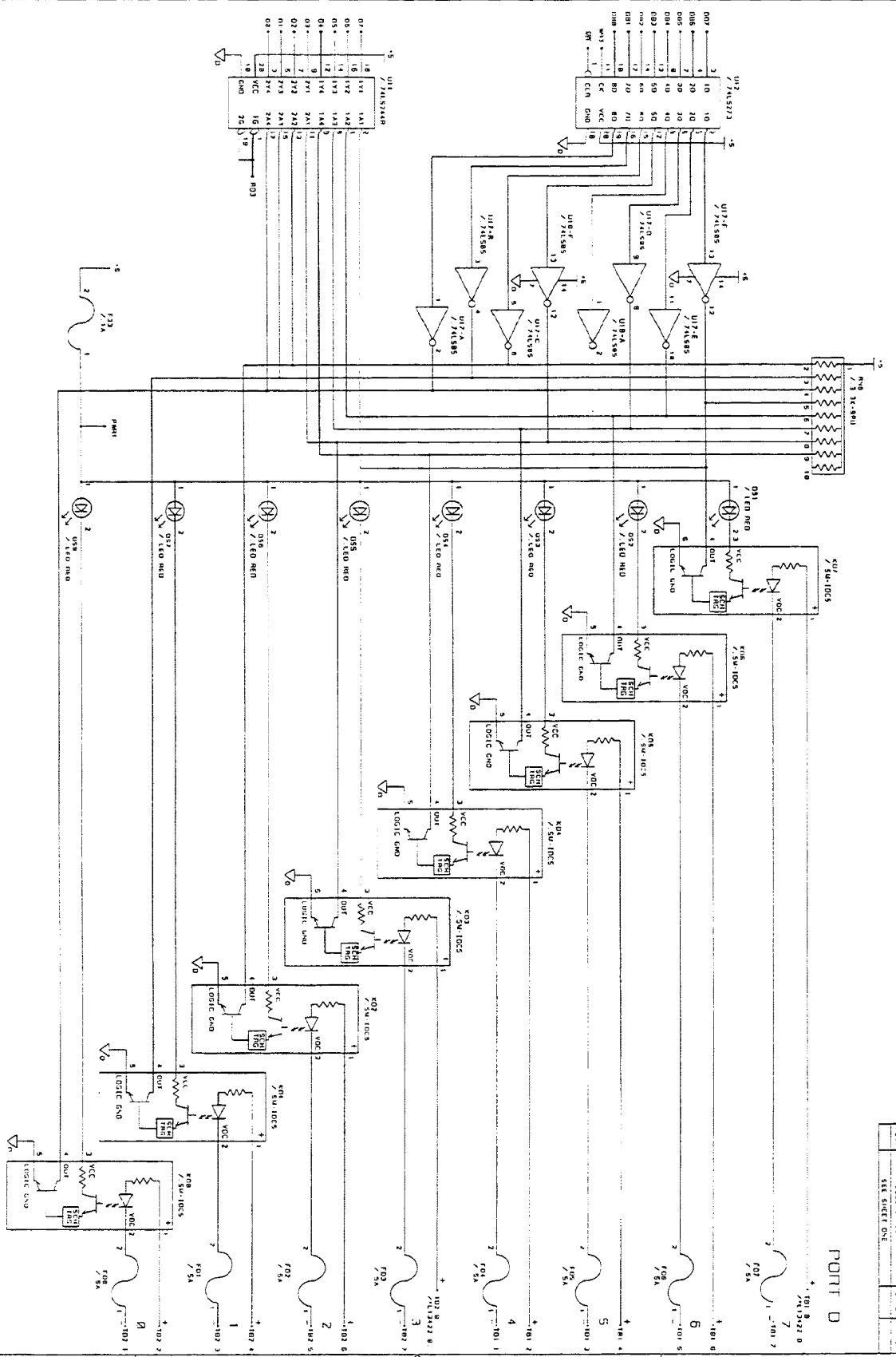
REV.	DESCRIPTION	DATE	APPD.
A	RELEASE		
B	ECC 21837 CAD R0004W		



DATE	BY	CHKD.	APPD.
04-13-81	U		
04-13-81	U		
04-13-81	U		

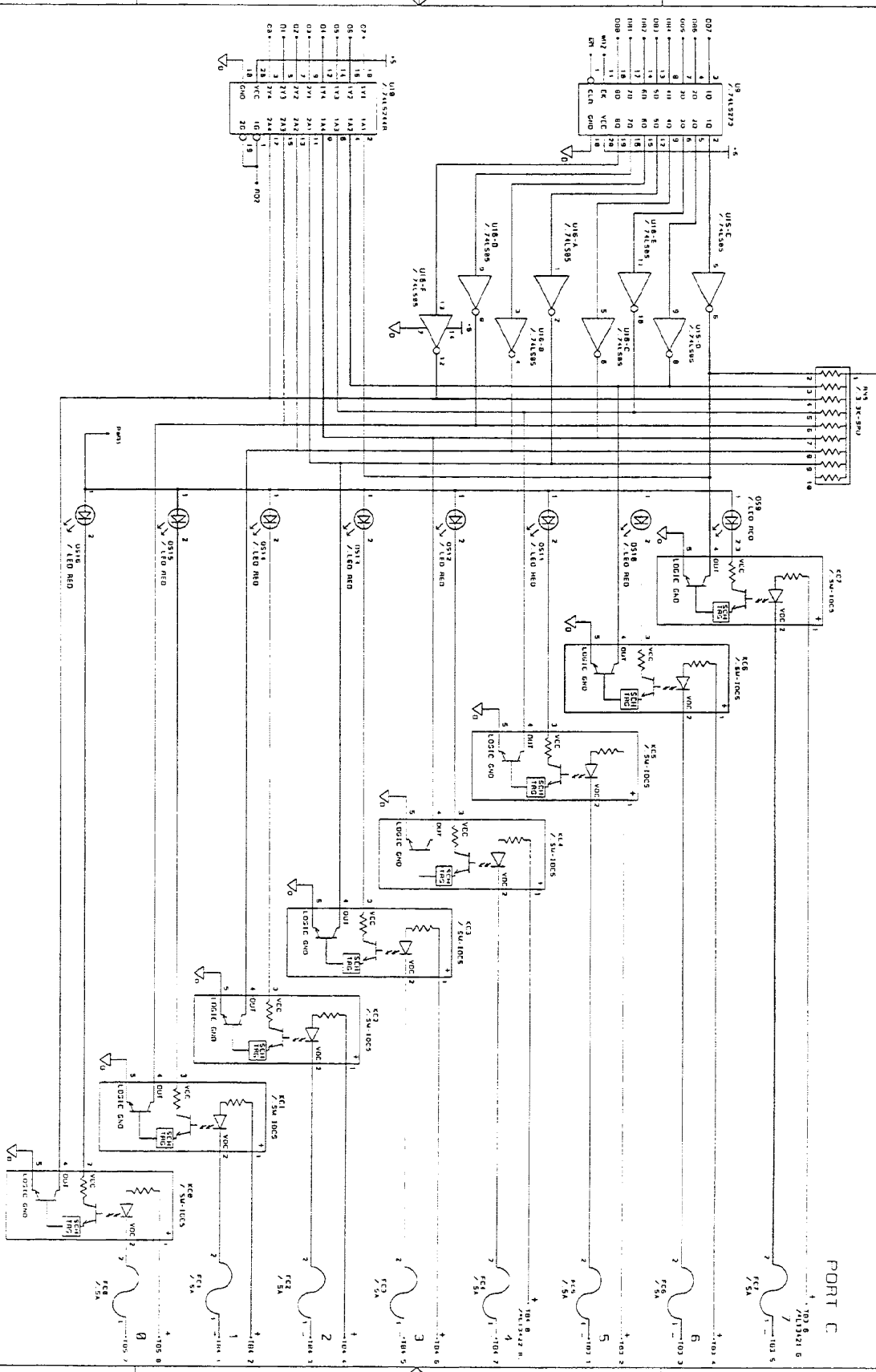
RETILEY METRABYTE
 DATA ACQUISITION
 SCHEMATIC
 TITLE: ECC 21837 CAD R0004W
 SHEET NO: 04-13-81
 REV: U
 SHEET 1 OF 5

REV	DESCRIPTION	DATE	AMOUNT
1	SEE SHEET 05		



KETHEBY METRABYTE
 DATA ACQUISITION
 SCHEMATIC
 WSHN 23
 6-4-71 F3
 4178 INDUCTOR
 1
 VDC

REV	DESCRIPTION	DATE	APPN
1	SEE SHEET EN5		



U18 / 74VHC04

Pin	Pin	Pin	Pin
1	16	1	16
2	15	2	15
3	14	3	14
4	13	4	13
5	12	5	12
6	11	6	11
7	10	7	10
8	9	8	9
9	8	9	8
10	7	10	7
11	6	11	6
12	5	12	5
13	4	13	4
14	3	14	3
15	2	15	2
16	1	16	1

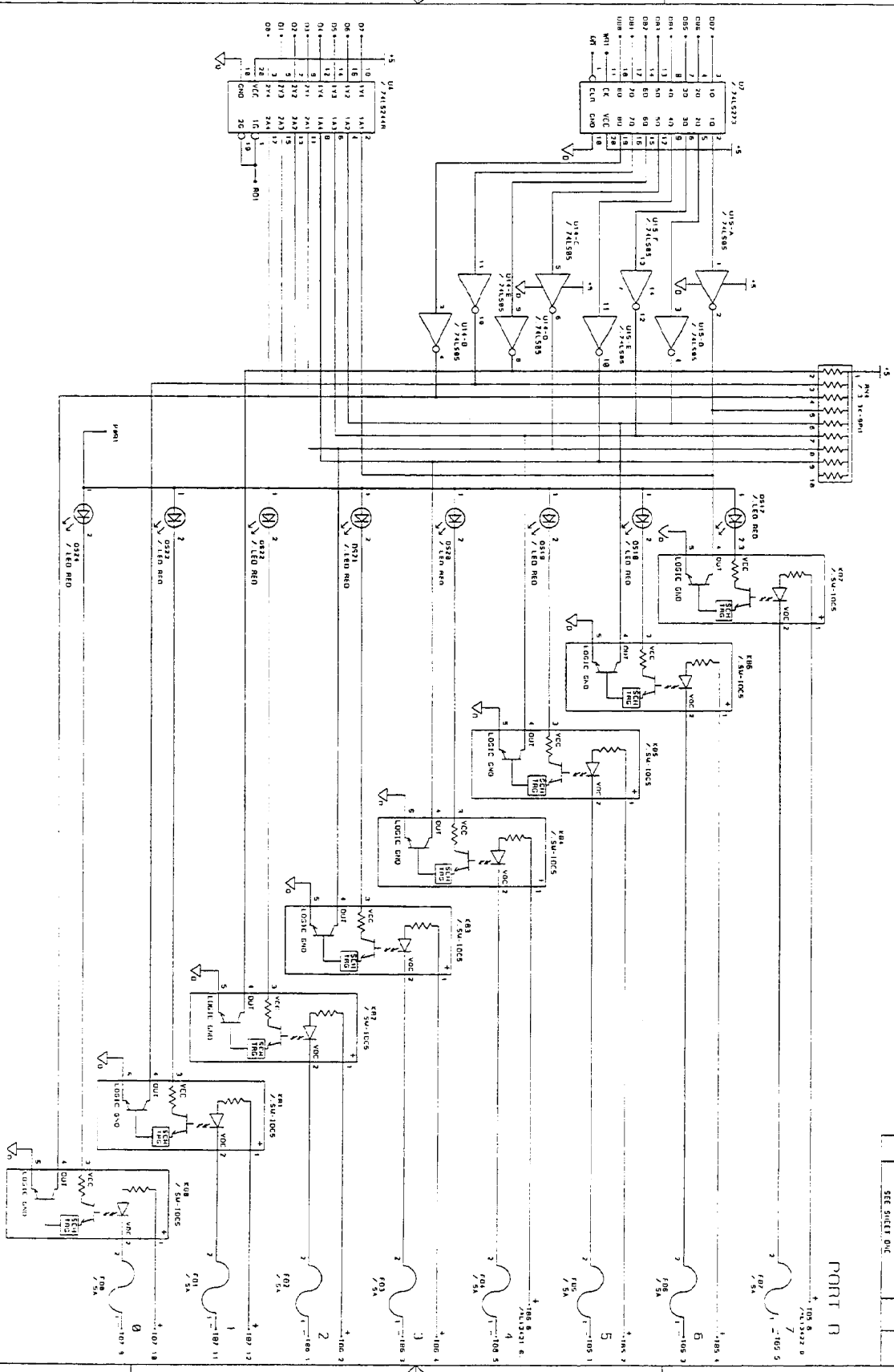
U18-G / 74VHC125

Pin	Pin	Pin	Pin
1	16	1	16
2	15	2	15
3	14	3	14
4	13	4	13
5	12	5	12
6	11	6	11
7	10	7	10
8	9	8	9
9	8	9	8
10	7	10	7
11	6	11	6
12	5	12	5
13	4	13	4
14	3	14	3
15	2	15	2
16	1	16	1

KEYLITE WETRA BYTE
 DATA ACQUISITION
 SCHEMATIC
 DATE: 6.4.31
 REV: B
 SHEET 3 OF 5

REV.	DESCRIPTION	DATE	APP'D.
1	SEE SHEET D/C		

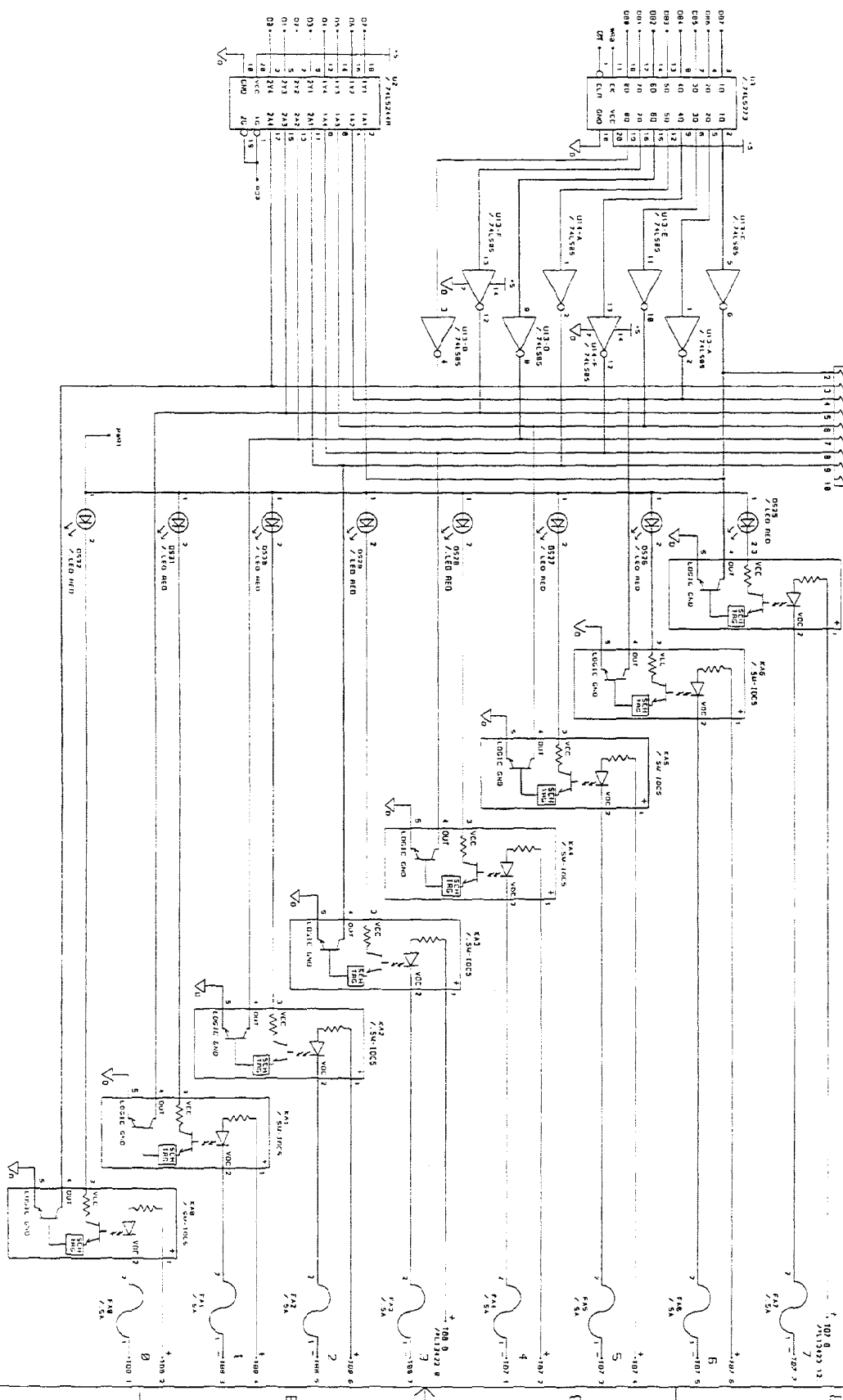
PORT N



KEITHLEY METABYTE
 6431
 SHEET 1 OF 5

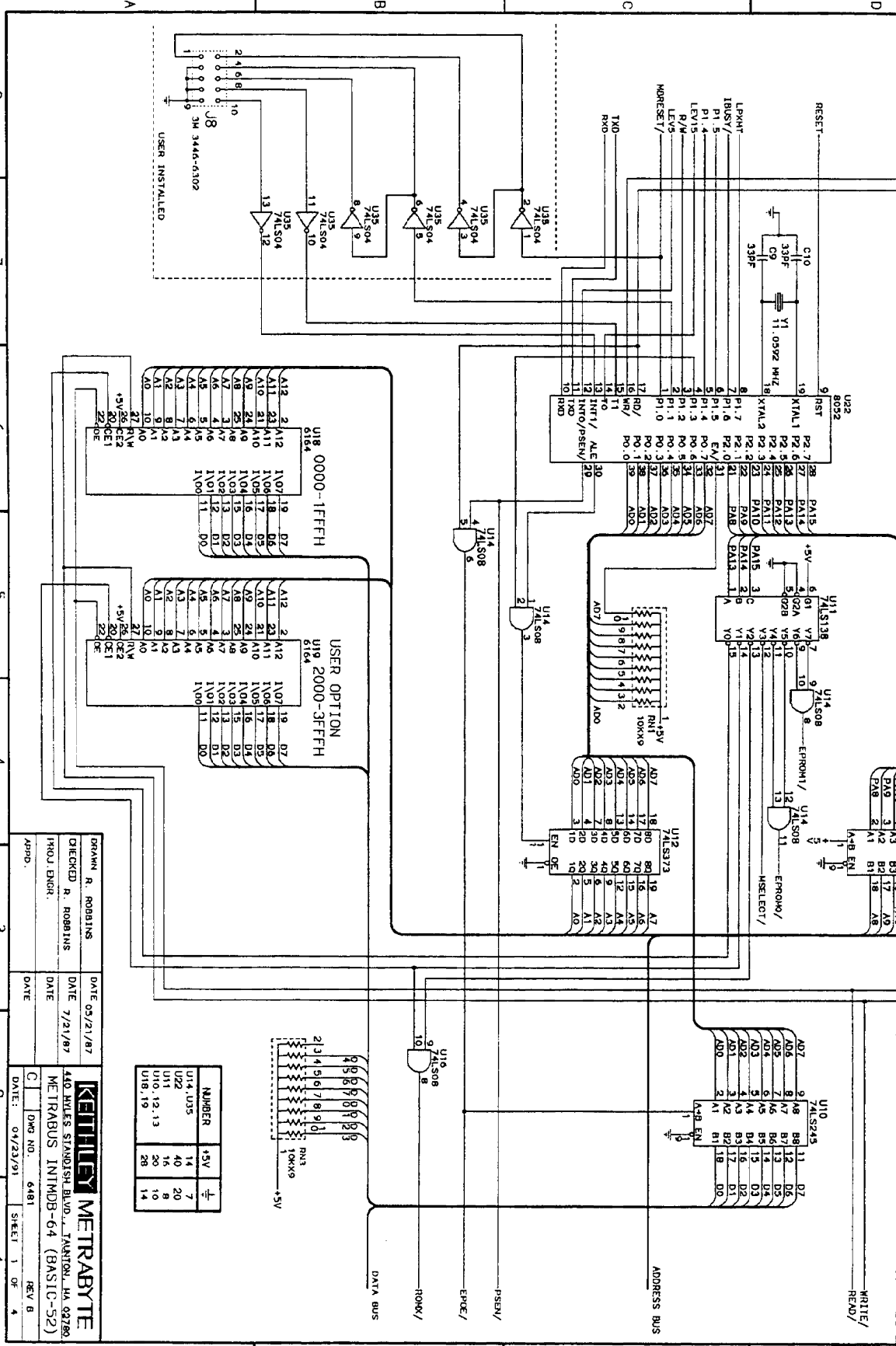
REV	DESCRIPTION	DATE	APPD
1	SEE SHEET ENCL		

PORT A



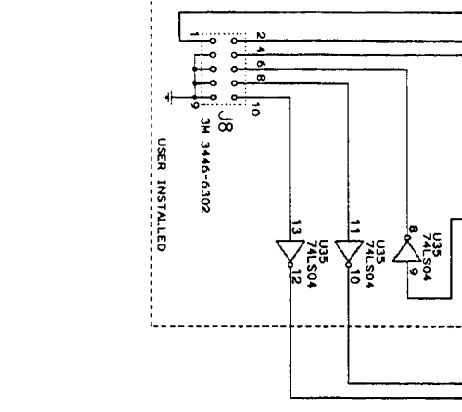
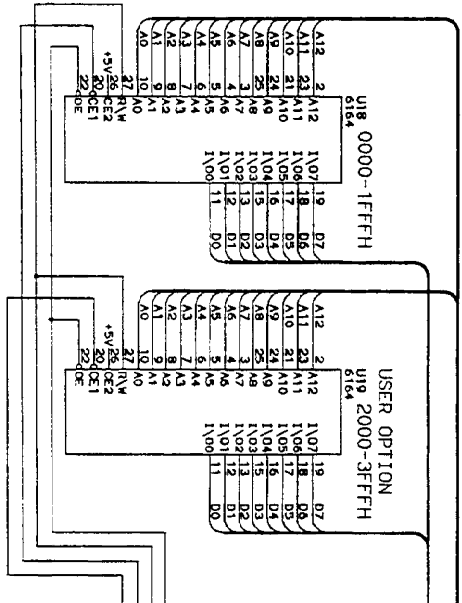
KITTLEYME HARBITE			
DATA ACQUISITION			
SERVO			
TYPE	DATE	REV	
C	6/31	U	
SHEET 5 OF 5			

REV	DESCRIPTION	DATE	APPD.
1	REMOVE U20, CHANGE RESET CIRCUIT	5/26/87	RJR
2	REMOVE CPU & RAM SOCS, R13	6/3/87	RJR
A	REPLACE RFB, RPN 148	6/3/87	RJR
B	ECO 2018, R11 WAS 20 OK	4/23/91	RJR



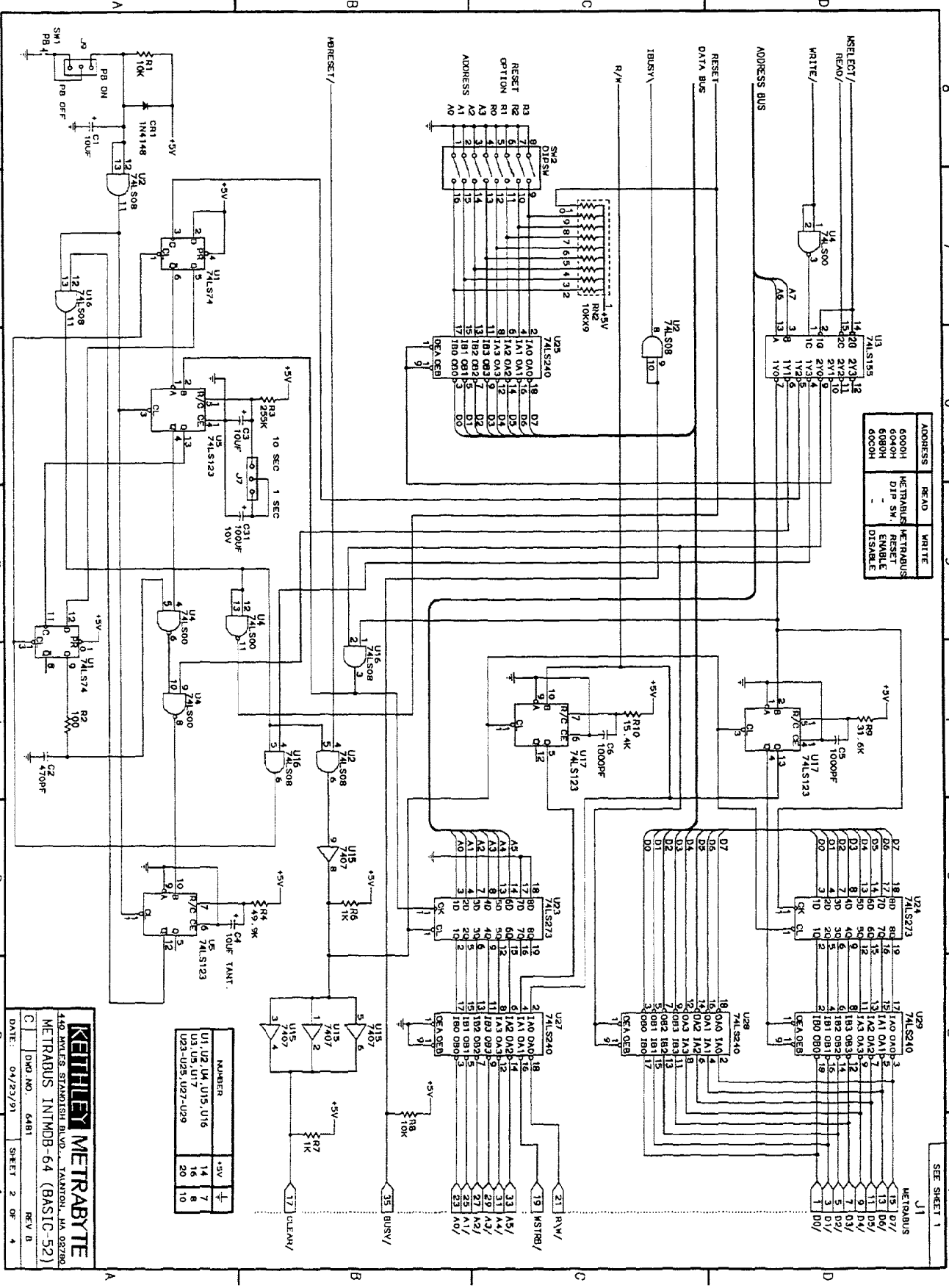
NUMBER	+5V	-
U14, U35	14	7
U22	40	20
U11	16	8
U10, 12, 13	20	10
U18, 19	28	14

DRAWN R. ROBBINS DATE 05/21/87
 CHECKED R. ROBBINS DATE 7/21/87
 PROJ. ENGR. DATE
 APPD. DATE
KETTERBY METRABYTE
 440 AVILES STANDISH BLVD., TARRANT, TX 75790
 METRABUS INTIMDB-64 (BASIC-52)
 DATE: 04/23/91 SHEET 1 OF 4



8 7 6 5 4 3 2 1

ADDRESS	READ	WRITE
0000H	METRABUS	METRABUS
0001H	ENABLE	ENABLE
0002H	-	-
0003H	ENABLE	DISABLE



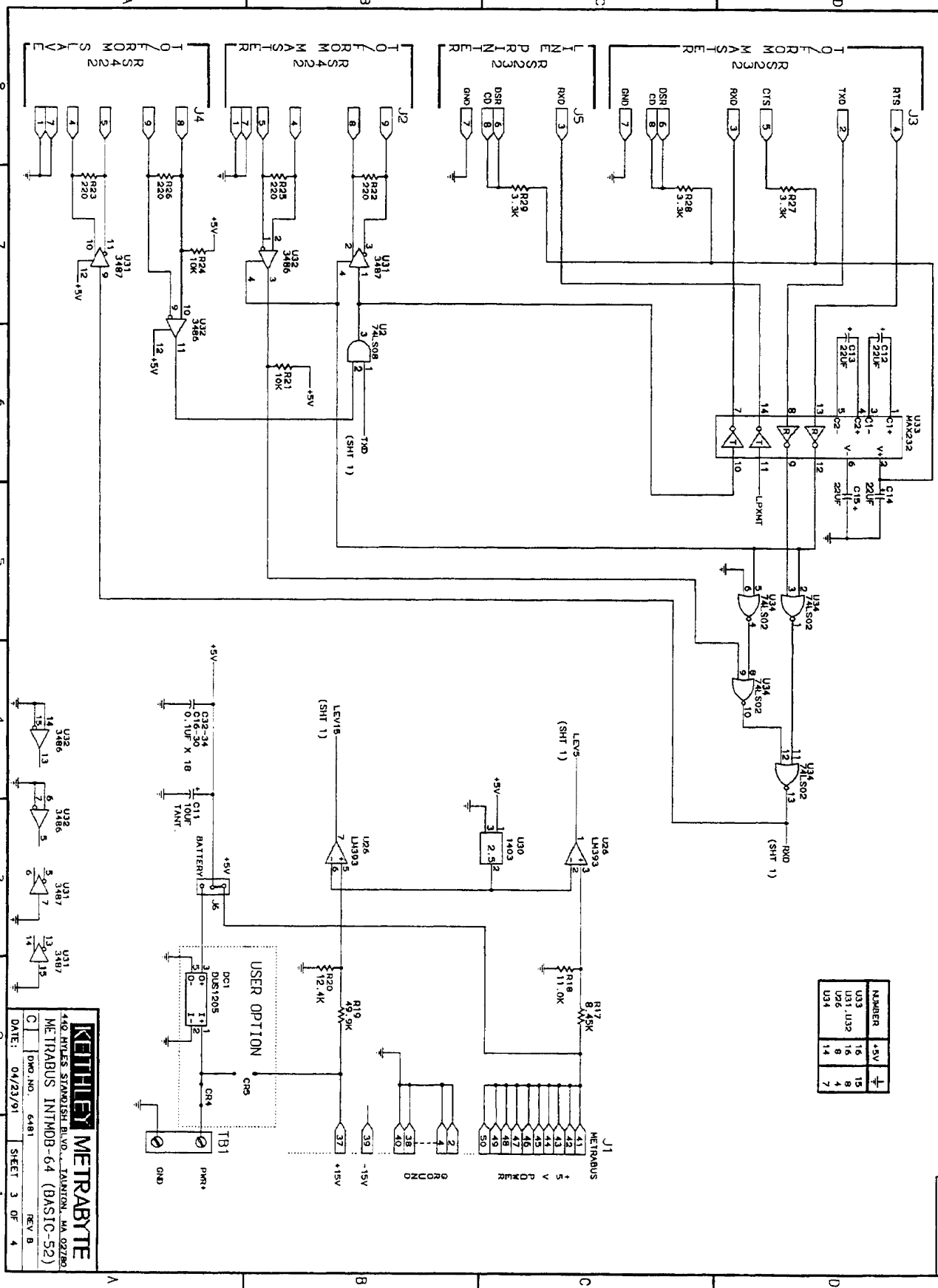
NUMBER	+5V	±
U1, U2, U4, U15, U16	14	7
U3, U5, U17	16	8
U23-U25, U27-U29	20	10

KETHELEY METRABYTE
 440 AVIATES STANDISH BLVD., TANNON, VA. 02290
 METRABUS INTMDB-64 (BASIC-52)
 REV. B

DATE: 04/23/79 SHEET 2 OF 4

SEE SHEET 1

NUMBER	4.5V	1.5V
U33	16	15
U31, U32	16	8
U26	8	4
U34	14	7



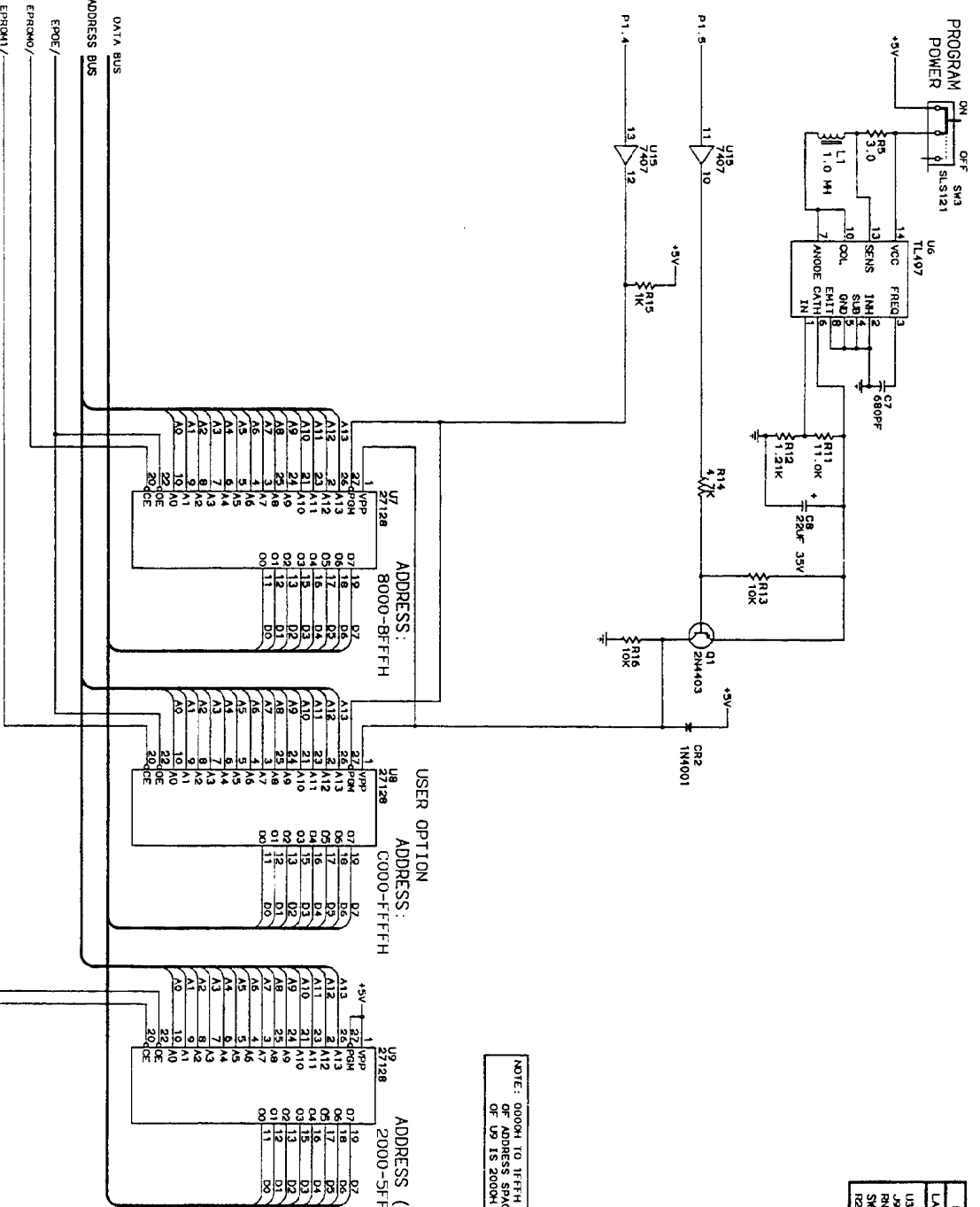
KEITHLEY METRABYTE

480 HYLES STAMFORD BLVD., TAYLOR, MA 02780
 METRABUS INITMD8-64 (BASIC-52)

REV B
 DATE: 04/23/91
 SHEET 3 OF 4

REFERENCE DESIGNATORS			
LAST USED	NOT USED		
U35	C34	U21	
J9	Q1	CR3	U20
RN4	TR1		
SM4	Y1		
R29	L1		

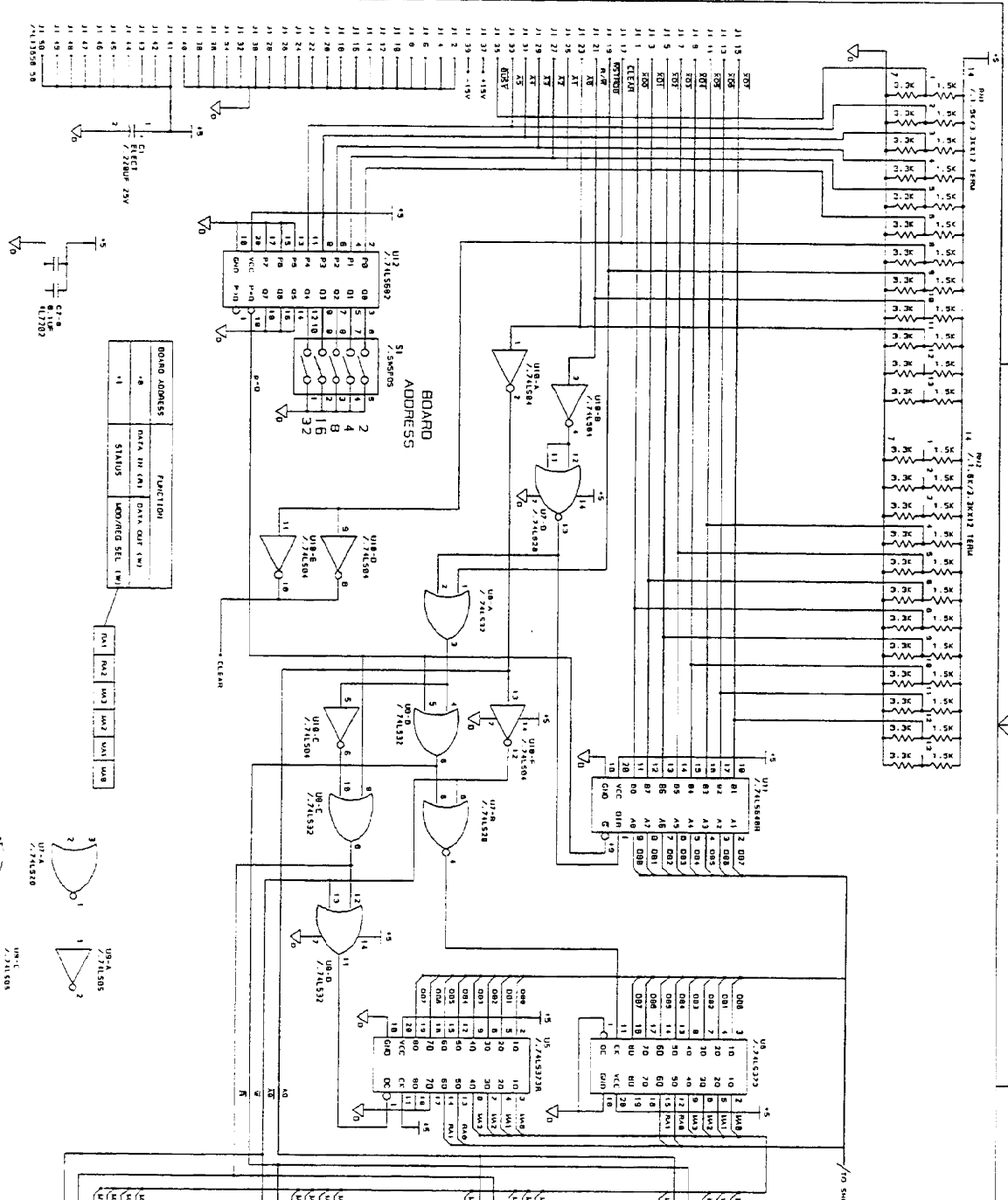
NOTE: 0000H TO 1FFFH OF U9 IS 4000H TO 3FFFH OF ADDRESS SPACE AND 2000H TO 3FFFH OF U9 IS 4000H TO 3FFFH OF ADDRESS SPACE.



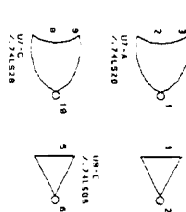
NUMBER	+5V	+
U6	-	5
U7, U8, U9	28	14

KEITHLEY METRABYTE
440 HILES STADIUM BLVD., TANTON, MA 02780
METRABUS INTMDB-64 (BASIC-52)

DATE: 04/23/91 SHEET 4 OF 4 REV. B
DWD NO. 6481



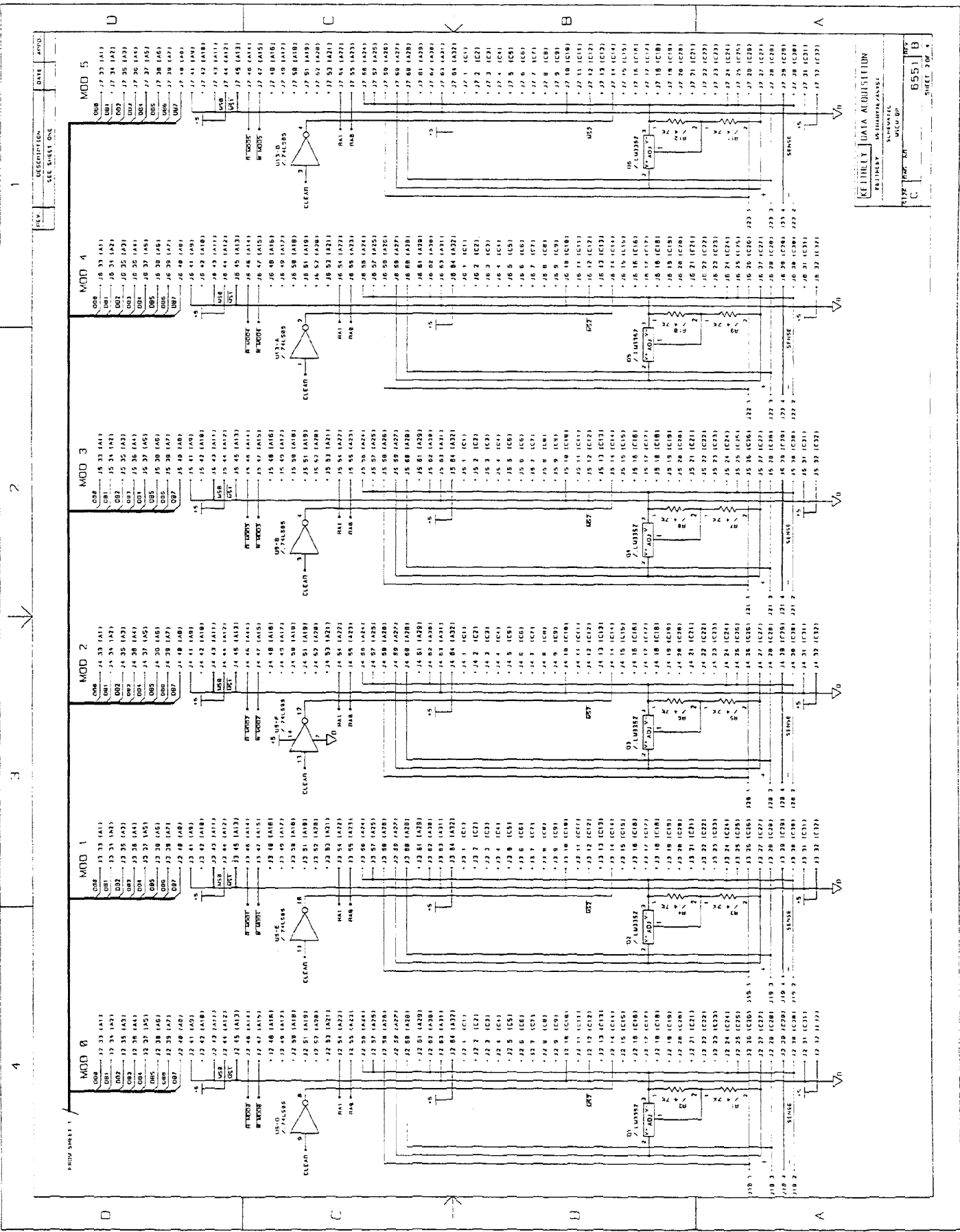
BOARD ADDRESS	FUNCTION
00	DATA IN (M)
01	STATUS
02	DATA OUT (M)
03	ADD/REG SEL (M)



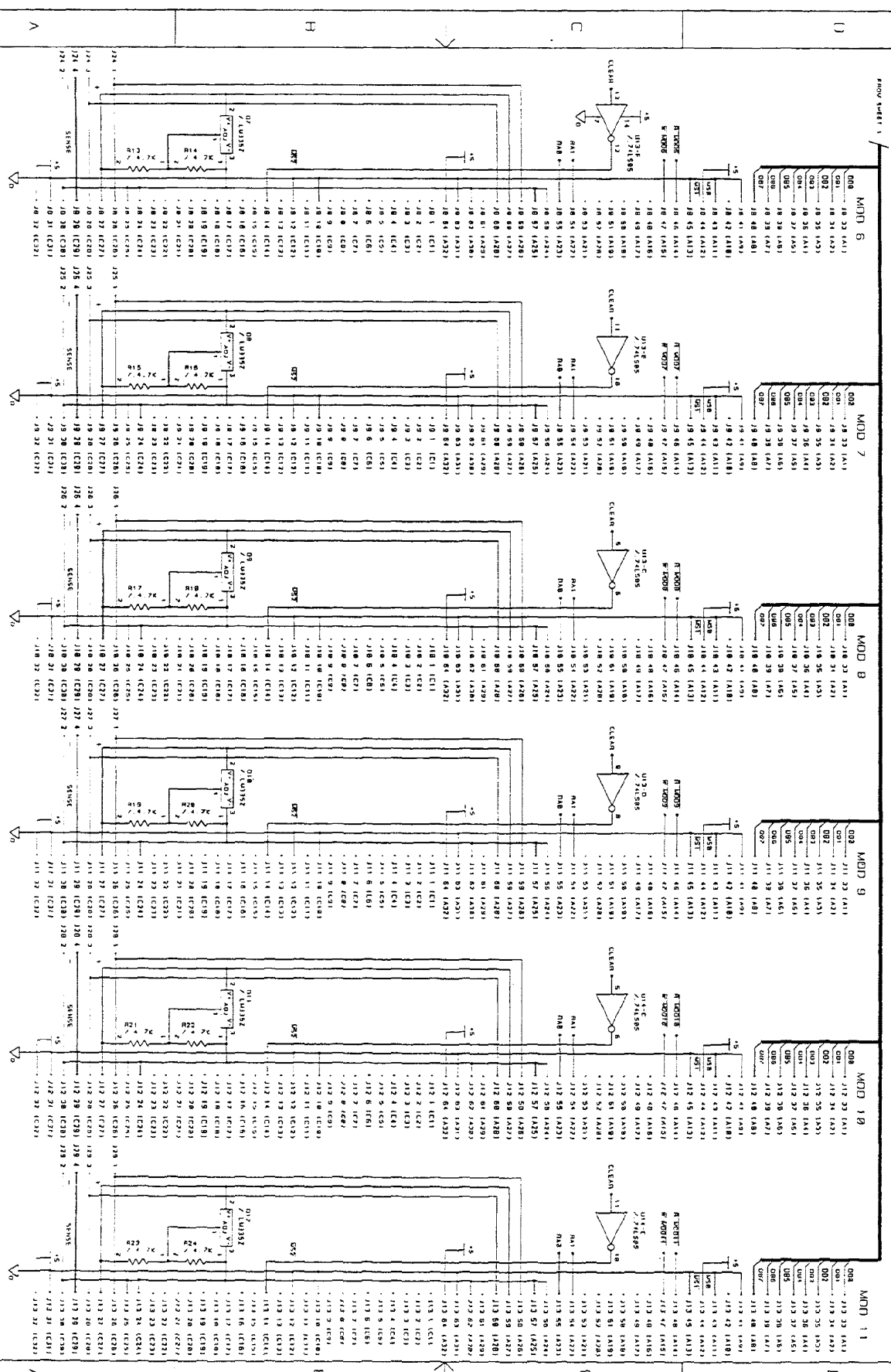
REV.	DESCRIPTION	DATE	APP.
A	RELEASE FROM PIN 110		
B	ECO 2332, CAD REWORK		

U11	U12	U13
1 A	1 A	1 A
2 B	2 B	2 B
3 C	3 C	3 C
4 D	4 D	4 D
5 E	5 E	5 E
6 F	6 F	6 F
7 G	7 G	7 G
8 H	8 H	8 H
9 I	9 I	9 I
10 J	10 J	10 J
11 K	11 K	11 K
12 L	12 L	12 L
13 M	13 M	13 M
14 N	14 N	14 N
15 O	15 O	15 O
16 P	16 P	16 P
17 Q	17 Q	17 Q
18 R	18 R	18 R
19 S	19 S	19 S
20 T	20 T	20 T
21 U	21 U	21 U
22 V	22 V	22 V
23 W	23 W	23 W
24 X	24 X	24 X
25 Y	25 Y	25 Y
26 Z	26 Z	26 Z
27 GND	27 GND	27 GND

INDEXED BY: 831
 DRAWN BY: [Name]
 CHECKED BY: [Name]
 DATE: [Date]
 REV: [Rev]
 SHEET: 1 OF 1

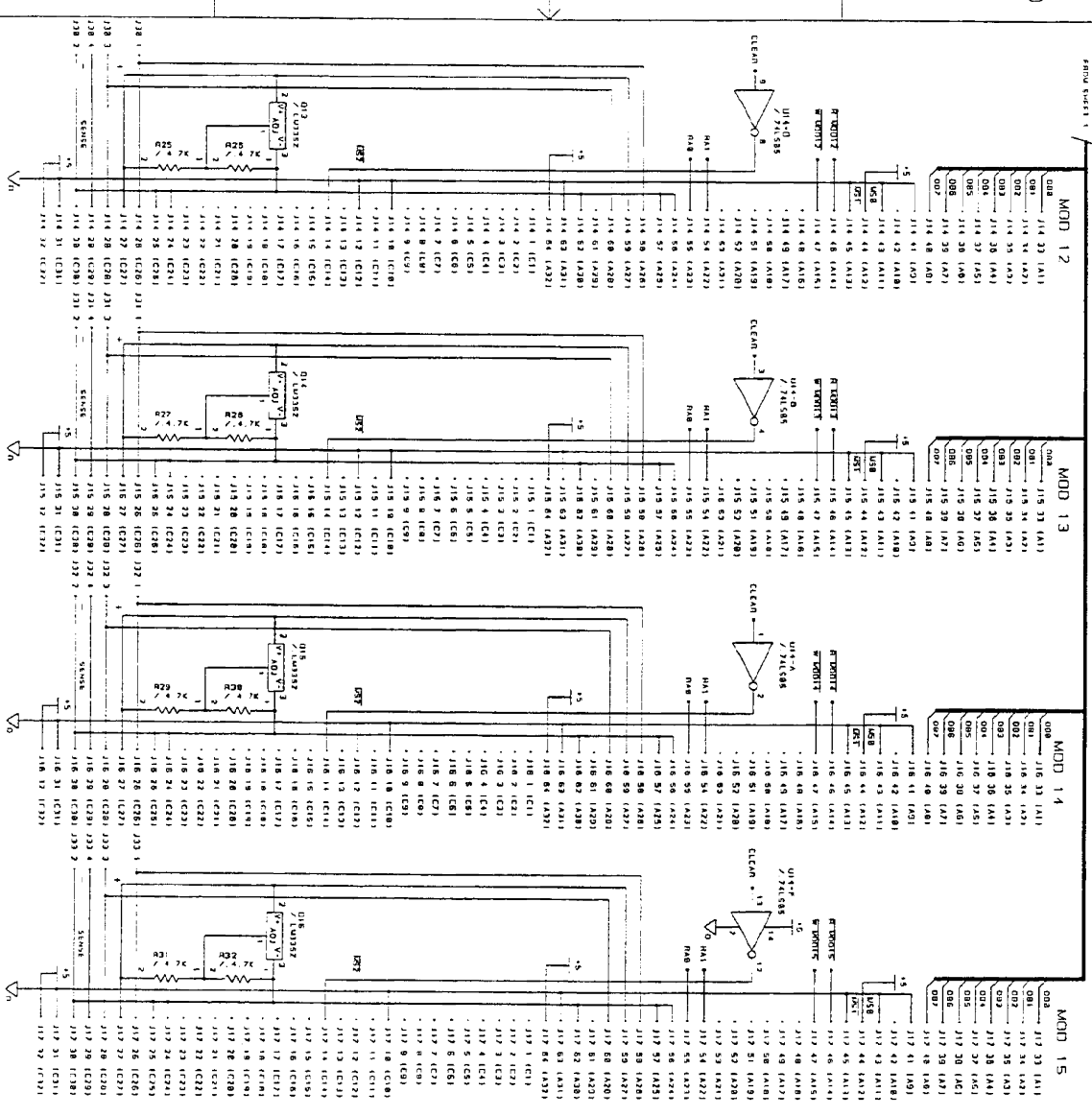


REV	DESCRIPTION	DATE	BY
1	SEE SHEET C-1		

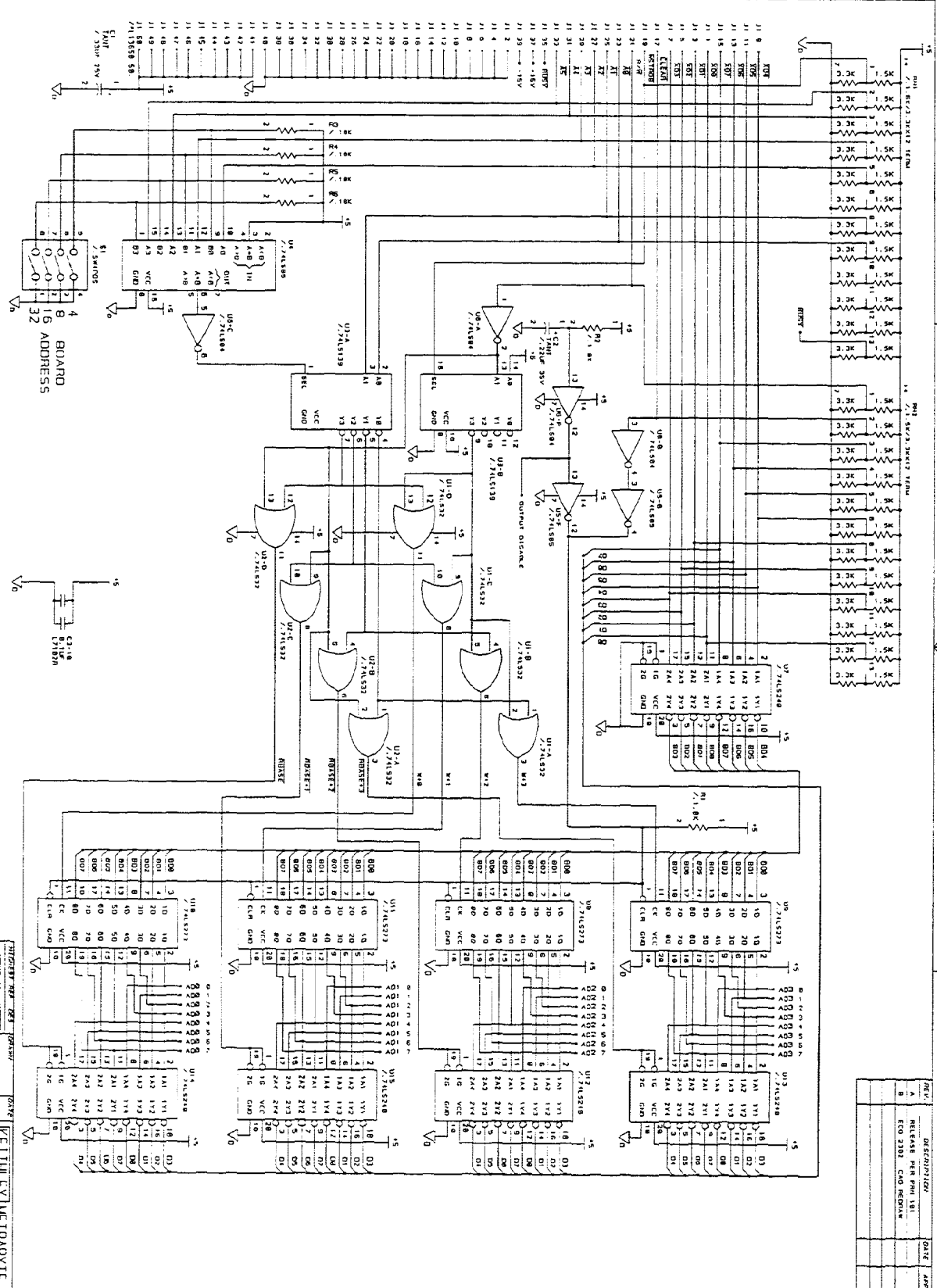


KITHECT DATA ACQUISITION
 KITHLECT
 6551 B
 SHEET 3 OF 4

REV	DESCRIPTION	DATE	APP'D
1	SEC SHEET 007		



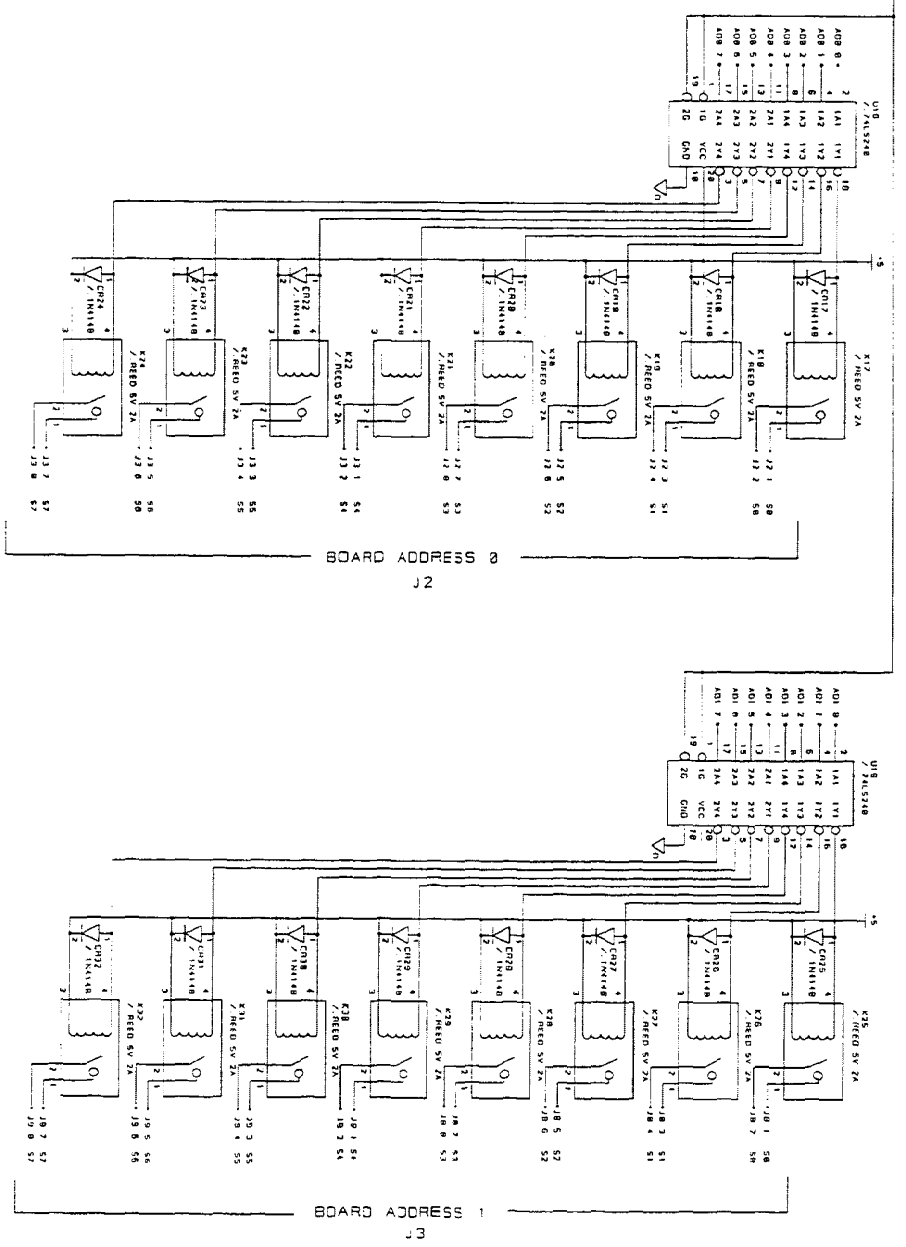
KETTERBY DATA ACQUISITION
 CUSTOMER:
 PROJECT:
 SHEET NO: 5551 B
 SHEET 4 OF 4



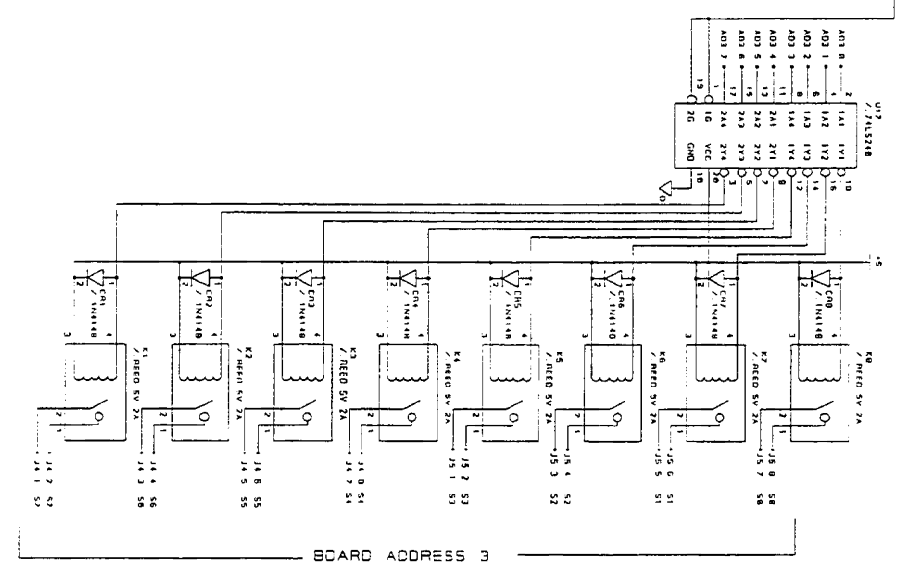
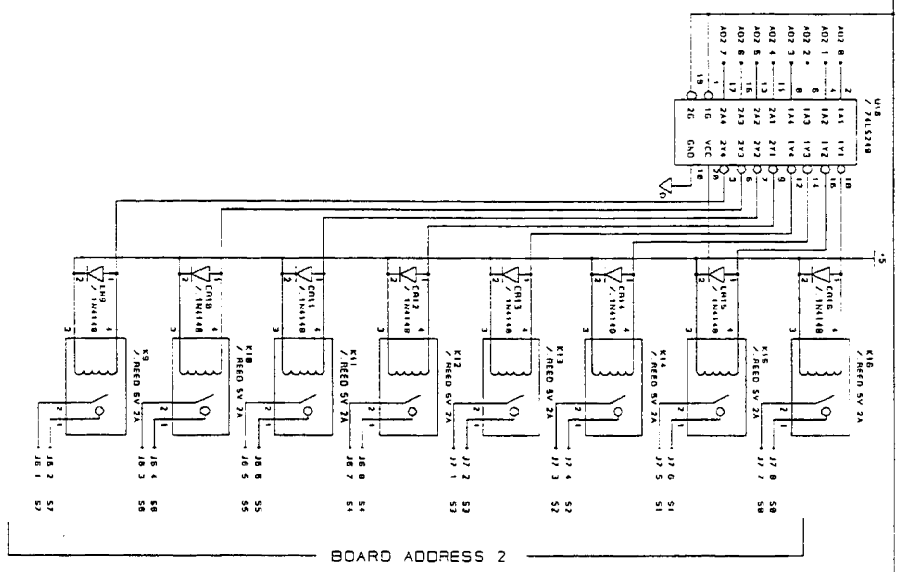
REV.	DESCRIPTION	DATE	APP'D.
A	RELEASE PER PHIL ISI		
B	ECO 2302 CAD MODIFIED		

KETHELYN MEINABYTE
 4500 UNIVERSITY AVENUE
 BERKELEY, CALIFORNIA 94720
 (415) 841-1313
 FAX (415) 841-1314
 WWW.KETHELYN.COM
 6/7/01
 SHEET 1 OF 3

REV	DESCRIPTION	DATE	APPN
1	SEC SHEET OUT		

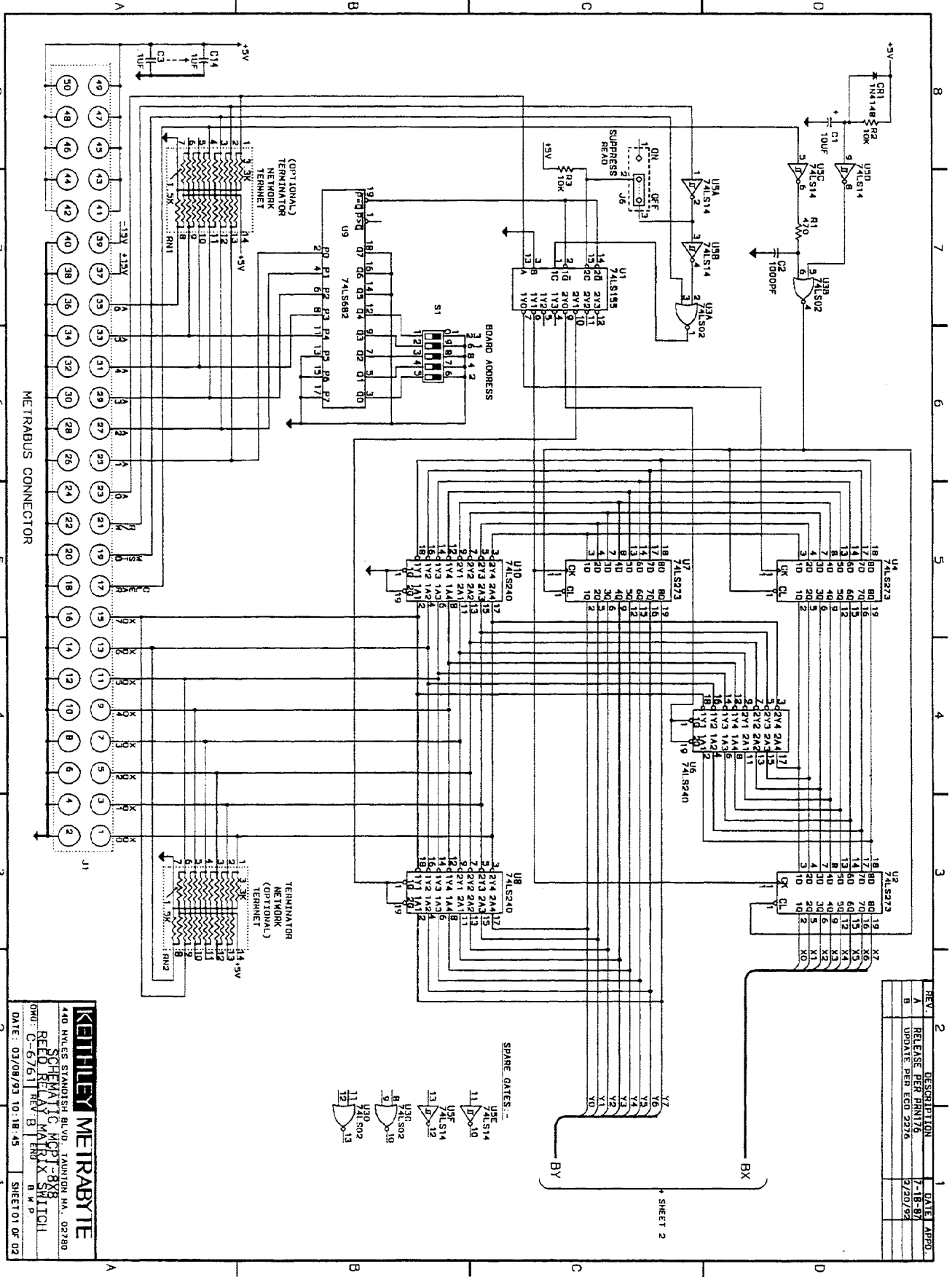


RELIABILITY DATA ACQUISITION
 SCIENTIFIC SYSTEMS
 14000 BELLEVUE DRIVE
 BELLEVUE, WASHINGTON 98007
 6/81
 SHEET 200 2



RELIABILITY DATA ACQUISITION
 MODEL: 4800001/050751
 PART: 13 DELAY OUTPUT
 DATE: 5/7/81
 SHEET 30 OF 3

REV	DESCRIPTION	DATE	APPRO.
2	RELEASE PER PRINTING	7-18-91	
A	UPDATE PER ECU 2276	3/20/92	



KEITHLEY METRABYTE
 440 NILES STANISH BLVD. FAIRHURON N.H. 02780
 SCHEMATIC, MPT-8X8
 REDUCED VOLTAGE MTRABX SWITCH
 C-6/761 REV B
 B K P
 DATE: 03/08/93 10:18:45 SHEET 01 OF 02

8 7 6 5 4 3 2 1

A B C D

8 7 6 5 4 3 2 1

A B C D

8 7 6 5 4 3 2 1

A B C D

8 7 6 5 4 3 2 1

A B C D

8 7 6 5 4 3 2 1

A B C D

8 7 6 5 4 3 2 1

A B C D

8 7 6 5 4 3 2 1

A B C D

8 7 6 5 4 3 2 1

A B C D

8 7 6 5 4 3 2 1

A B C D

8 7 6 5 4 3 2 1

A B C D

8 7 6 5 4 3 2 1

A B C D

8 7 6 5 4 3 2 1

A B C D

8 7 6 5 4 3 2 1

A B C D

8 7 6 5 4 3 2 1

A B C D

8 7 6 5 4 3 2 1

A B C D

8 7 6 5 4 3 2 1

A B C D

8 7 6 5 4 3 2 1

A B C D

8 7 6 5 4 3 2 1

A B C D

8 7 6 5 4 3 2 1

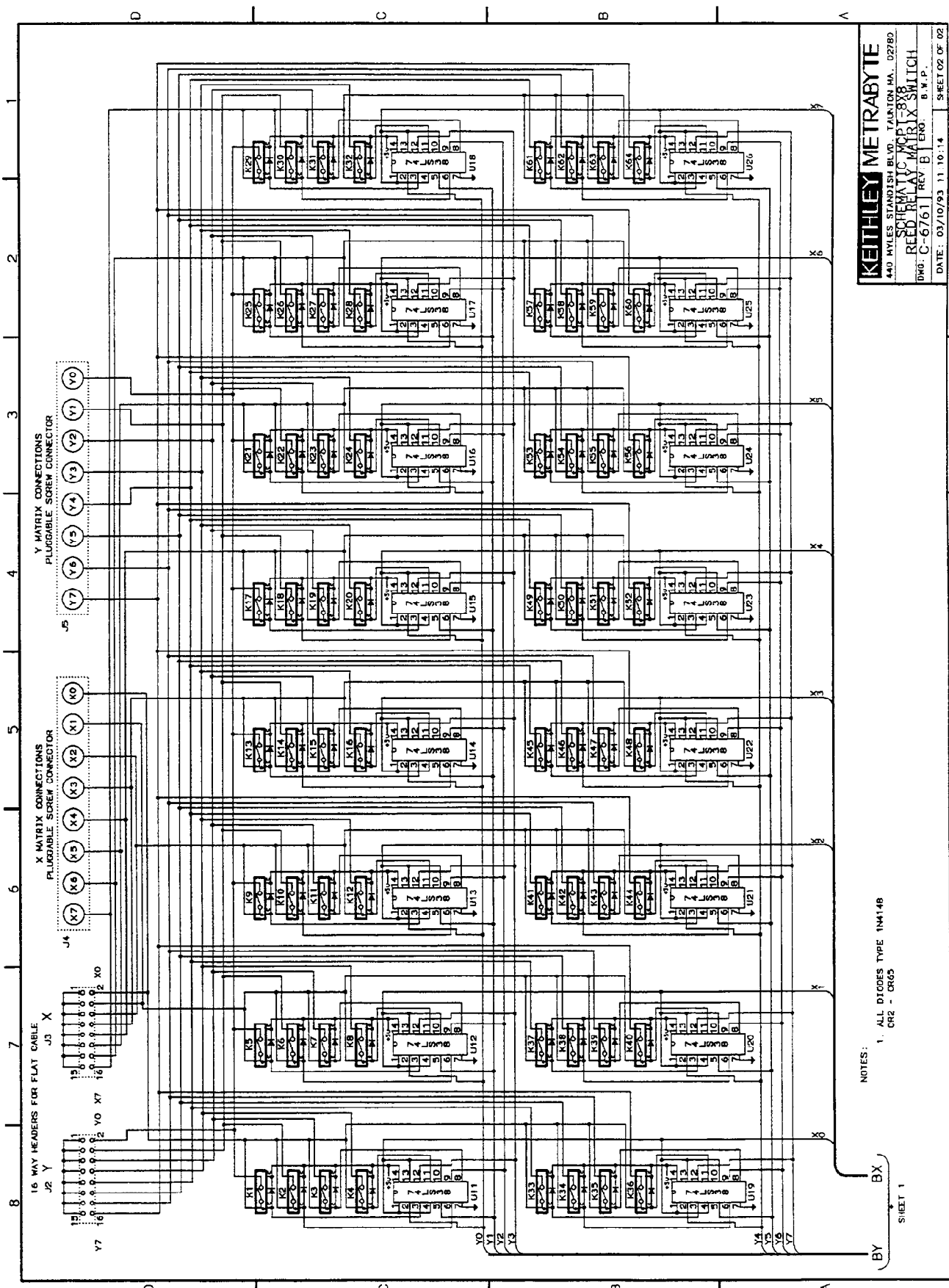
A B C D

8 7 6 5 4 3 2 1

A B C D

8 7 6 5 4 3 2 1

A B C D

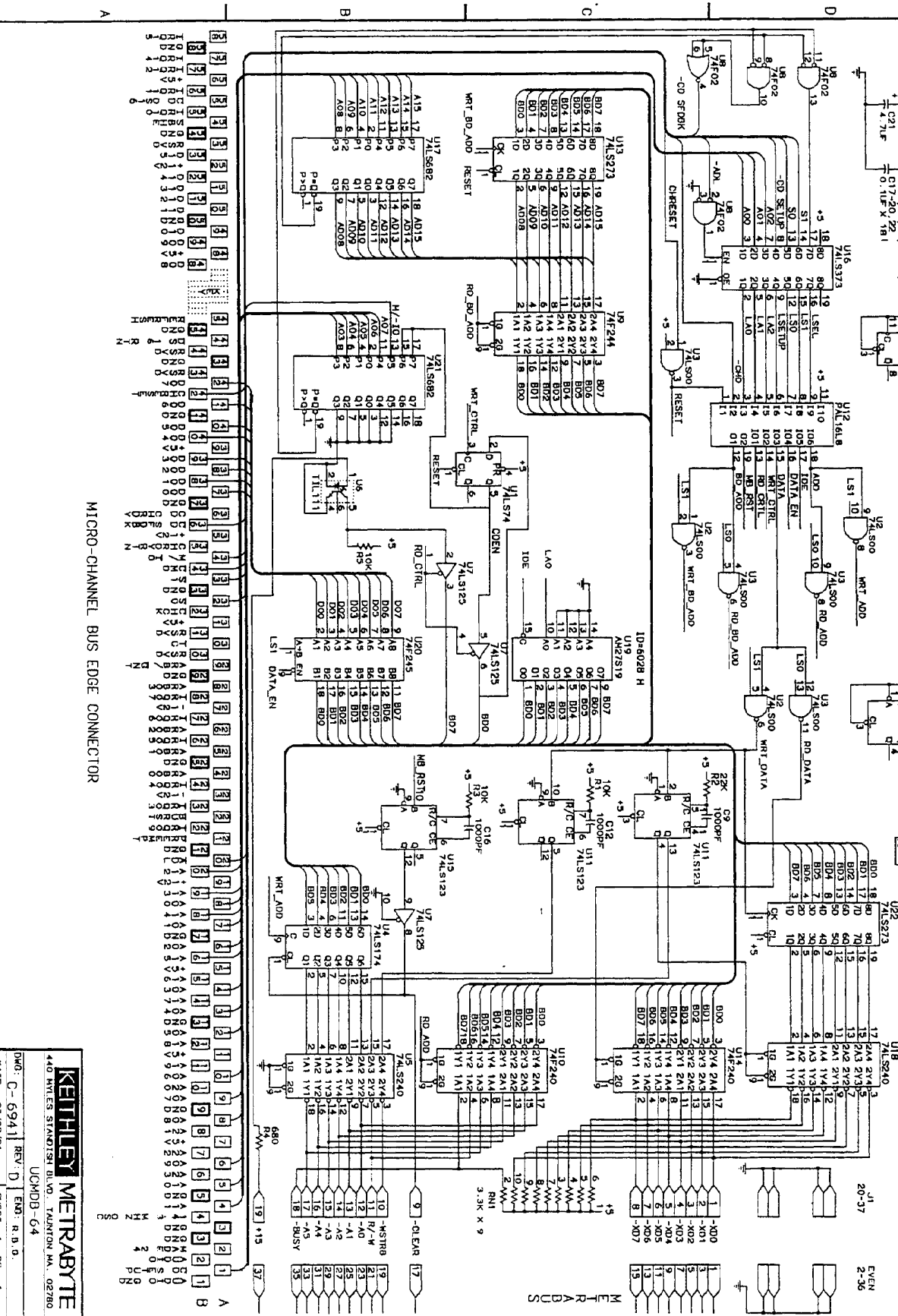


KEITHLEY METRABYTE
 4410 MYLES STANDISH BLVD., TAUNTON MA. 02780.
 SCHEMATIC NO. MPT-1838
REED RELAY MATRIX SWITCH
 DWG. C-6761 REV. B ENO. B.M.P.
 DATE: 03/10/93 11.10.14 SHEET 02 OF 02

NOTES:
 1. ALL DIODES TYPE 1N4148
 CR2 - CR65

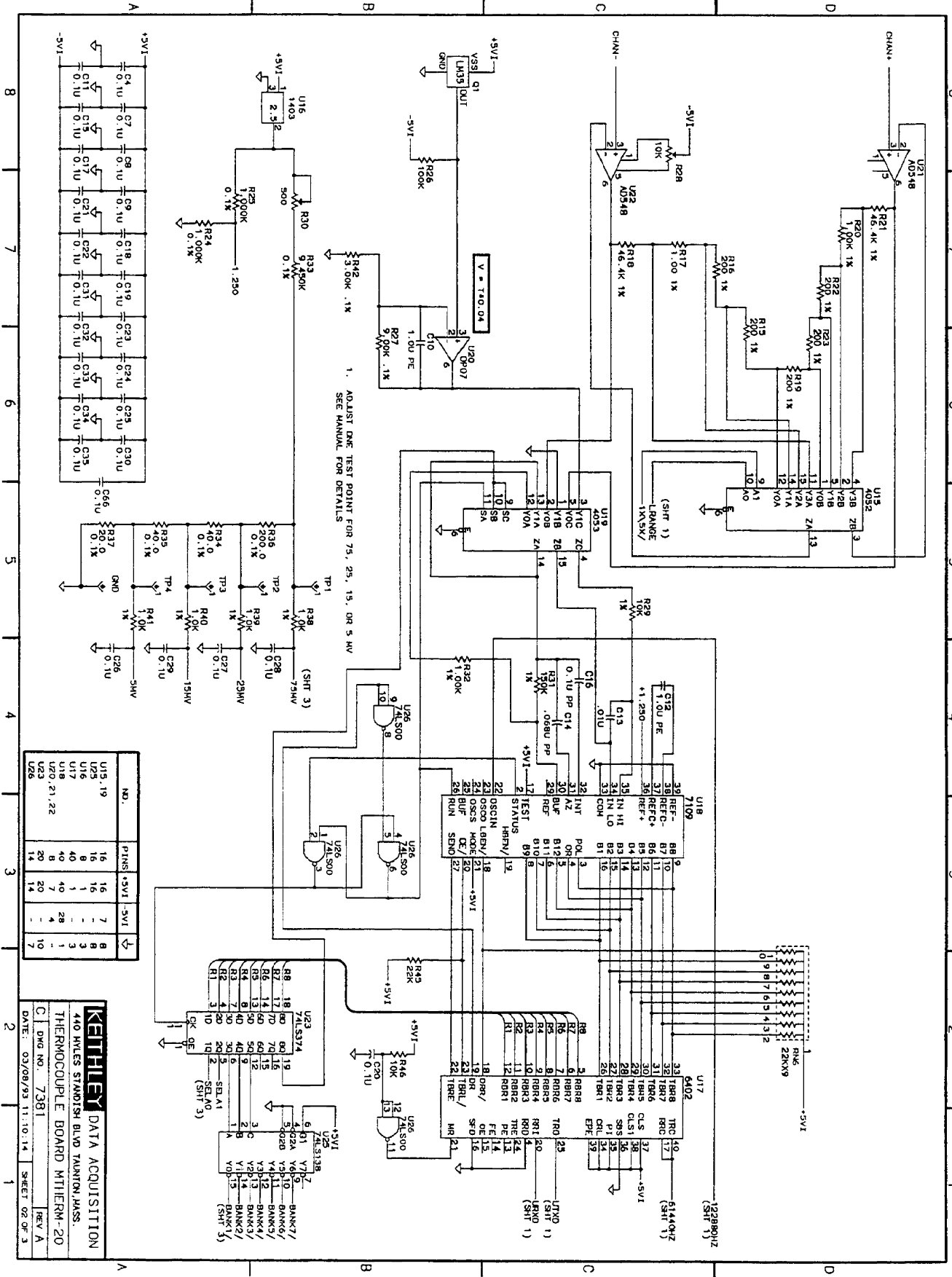
BY BX
 SHEET 1

REV	DESCRIPTION	DATE
1	ASB'D	12-80
2	12-80	12-80
3	12-80	12-80
4	12-80	12-80
5	12-80	12-80
6	12-80	12-80
7	12-80	12-80
8	12-80	12-80
9	12-80	12-80
10	12-80	12-80
11	12-80	12-80
12	12-80	12-80
13	12-80	12-80
14	12-80	12-80
15	12-80	12-80
16	12-80	12-80
17	12-80	12-80
18	12-80	12-80
19	12-80	12-80
20	12-80	12-80
21	12-80	12-80
22	12-80	12-80
23	12-80	12-80
24	12-80	12-80
25	12-80	12-80
26	12-80	12-80
27	12-80	12-80
28	12-80	12-80
29	12-80	12-80
30	12-80	12-80
31	12-80	12-80
32	12-80	12-80
33	12-80	12-80
34	12-80	12-80
35	12-80	12-80
36	12-80	12-80
37	12-80	12-80
38	12-80	12-80
39	12-80	12-80
40	12-80	12-80
41	12-80	12-80
42	12-80	12-80
43	12-80	12-80
44	12-80	12-80
45	12-80	12-80
46	12-80	12-80
47	12-80	12-80
48	12-80	12-80
49	12-80	12-80
50	12-80	12-80
51	12-80	12-80
52	12-80	12-80
53	12-80	12-80
54	12-80	12-80
55	12-80	12-80
56	12-80	12-80
57	12-80	12-80
58	12-80	12-80
59	12-80	12-80
60	12-80	12-80
61	12-80	12-80
62	12-80	12-80
63	12-80	12-80
64	12-80	12-80
65	12-80	12-80
66	12-80	12-80
67	12-80	12-80
68	12-80	12-80
69	12-80	12-80
70	12-80	12-80
71	12-80	12-80
72	12-80	12-80
73	12-80	12-80
74	12-80	12-80
75	12-80	12-80
76	12-80	12-80
77	12-80	12-80
78	12-80	12-80
79	12-80	12-80
80	12-80	12-80
81	12-80	12-80
82	12-80	12-80
83	12-80	12-80
84	12-80	12-80
85	12-80	12-80
86	12-80	12-80
87	12-80	12-80
88	12-80	12-80
89	12-80	12-80
90	12-80	12-80
91	12-80	12-80
92	12-80	12-80
93	12-80	12-80
94	12-80	12-80
95	12-80	12-80
96	12-80	12-80
97	12-80	12-80
98	12-80	12-80
99	12-80	12-80
100	12-80	12-80



MICRO-CHANNEL BUS EDGE CONNECTOR

KETHLEY METRABYTE
 440 NWLES STANDISH BLVD., TALENTO, OR 97140
 UCMBD-64
 DATE: 03/29/91 REV: D EXD: R.B.O.
 SHEET 1 OF 1

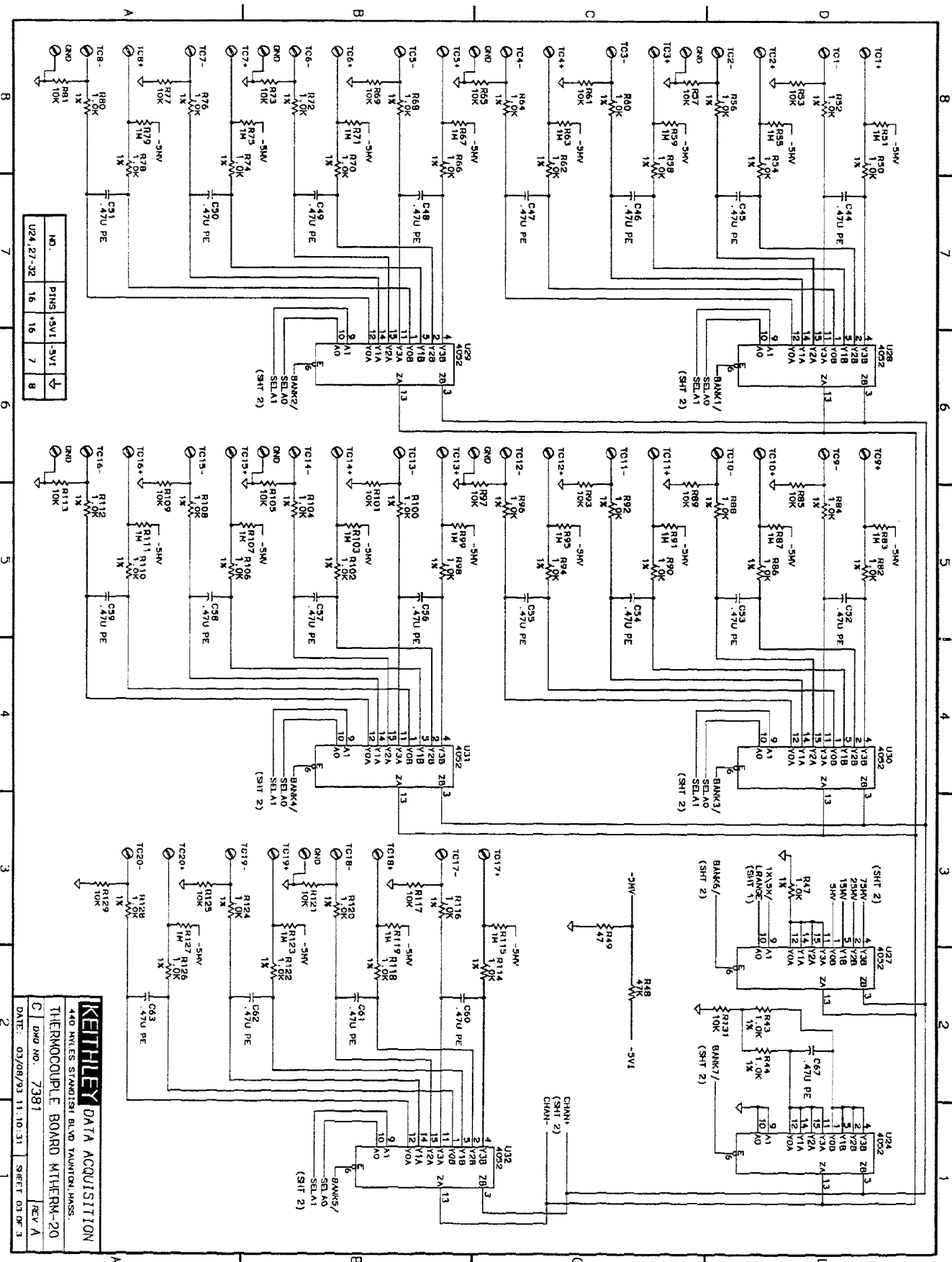


1. ADJUST ONE TEST POINT FOR 75, 25, 15, OR 5 MV
SEE MANUAL FOR DETAILS

NO.	PRINS	+5V1	-5V1	↓
U23	16	16	7	8
U18	8	1	3	3
U17	40	1	4	1
U20	8	7	28	1
U23	14	20	14	7

KEITHLEY DATA ACQUISITION
 440 MPLES STANDISH BLDG TAYLTON, MASS.
 THERMOCOUPLE BOARD MTRERM-20
 C DNG NO 7381
 DATE: 03/08/93 11:10:14 SHEET 02 OF 3

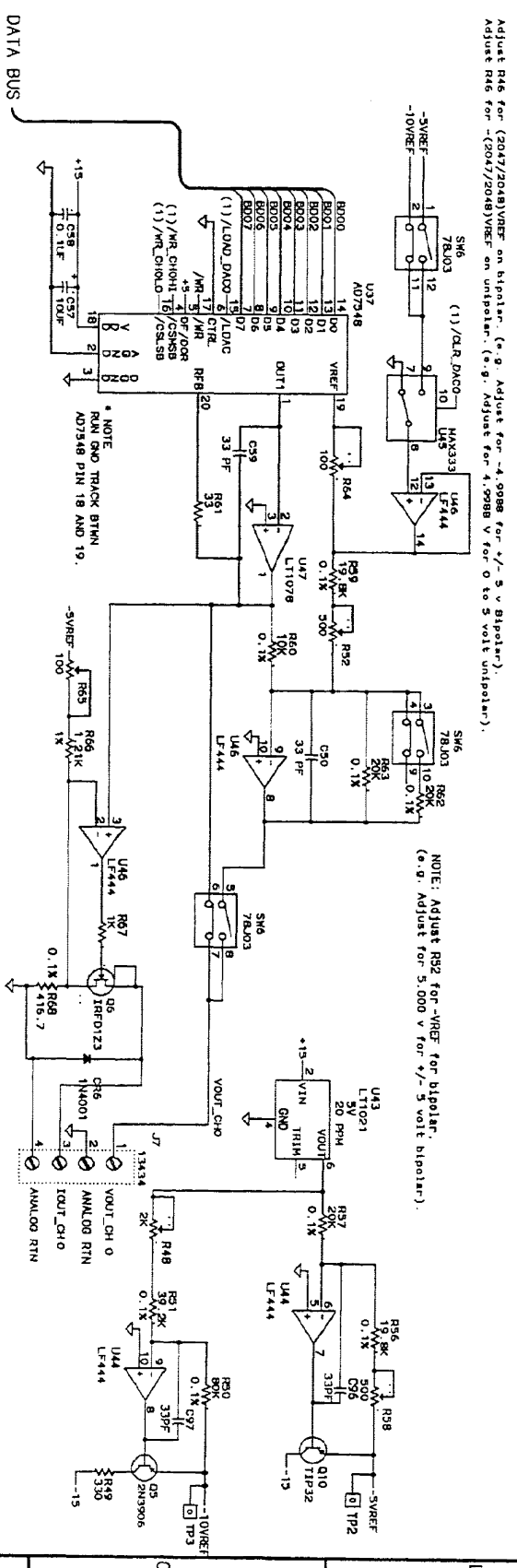
U23	U18	U17
1	33	33
2	34	34
3	35	35
4	36	36
5	37	37
6	38	38
7	39	39
8	40	40
9	41	41
10	42	42
11	43	43
12	44	44
13	45	45
14	46	46
15	47	47
16	48	48
17	49	49
18	50	50
19	51	51
20	52	52
21	53	53
22	54	54
23	55	55
24	56	56
25	57	57
26	58	58
27	59	59
28	60	60
29	61	61
30	62	62
31	63	63
32	64	64
33	65	65
34	66	66
35	67	67
36	68	68
37	69	69
38	70	70
39	71	71
40	72	72
41	73	73
42	74	74
43	75	75
44	76	76
45	77	77
46	78	78
47	79	79
48	80	80
49	81	81
50	82	82
51	83	83
52	84	84
53	85	85
54	86	86
55	87	87
56	88	88
57	89	89
58	90	90
59	91	91
60	92	92
61	93	93
62	94	94
63	95	95
64	96	96
65	97	97
66	98	98
67	99	99
68	100	100



NO.	PINS	+5V1	-5V1	↓
UC4,27-32	16	16	7	B

KETHELEY DATA ACQUISITION
 440 NILES STRAUGHTEN BLVD TAUNTON, MASS.
THERMOCOUPLE BOARD MTRM-20
 C DMO NO. 7381
 DATE: 03/08/93 11:10:31 SHEET 03 OF 3
 REV A

REV.	DESCRIPTION	DATE	APPR.
2	SEE SHEET 1		

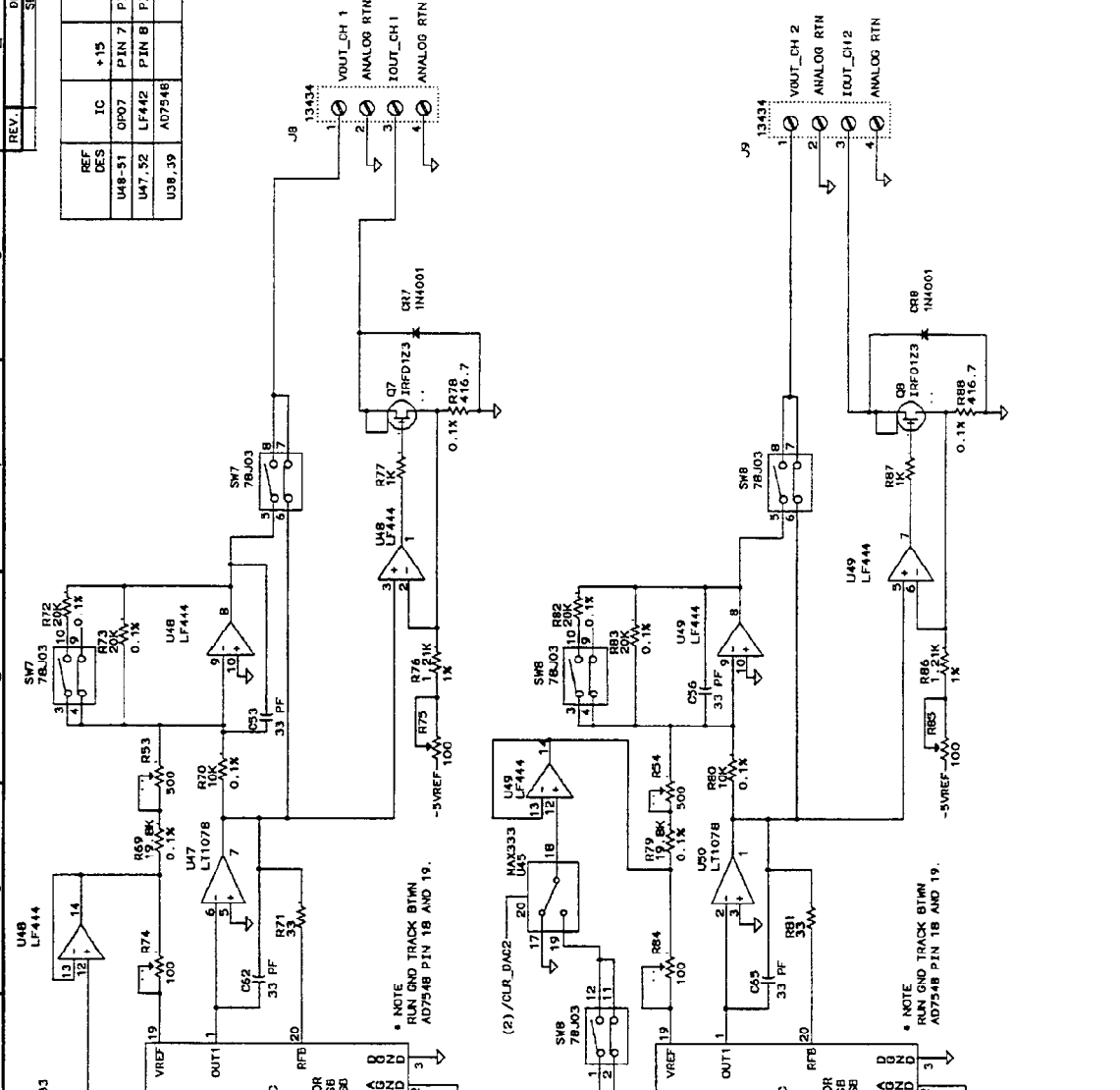


KETTER METRABYTE
 440 AVILES STADIUM BLVD., TAYLOR, MA 02780
 SCHEMATIC - MAO-12

C	DWG. NO. 07591	SHEET 2 OF 6	REV B
	DATE: 10/18/89		

REV	DESCRIPTION	DATE	APPD
1	SEE SHEET 1		

REF DES	IC	+15	-15	SUPPLY CURRENT (mA)	
		PIN 7	PIN 4	TYP	MAX
U48-51	OP07	PIN 4		3.5	5.0
U47-52	LF442	PIN B	PIN 4	0.2	0.25
U38-39	AD7548			1.0	3.0



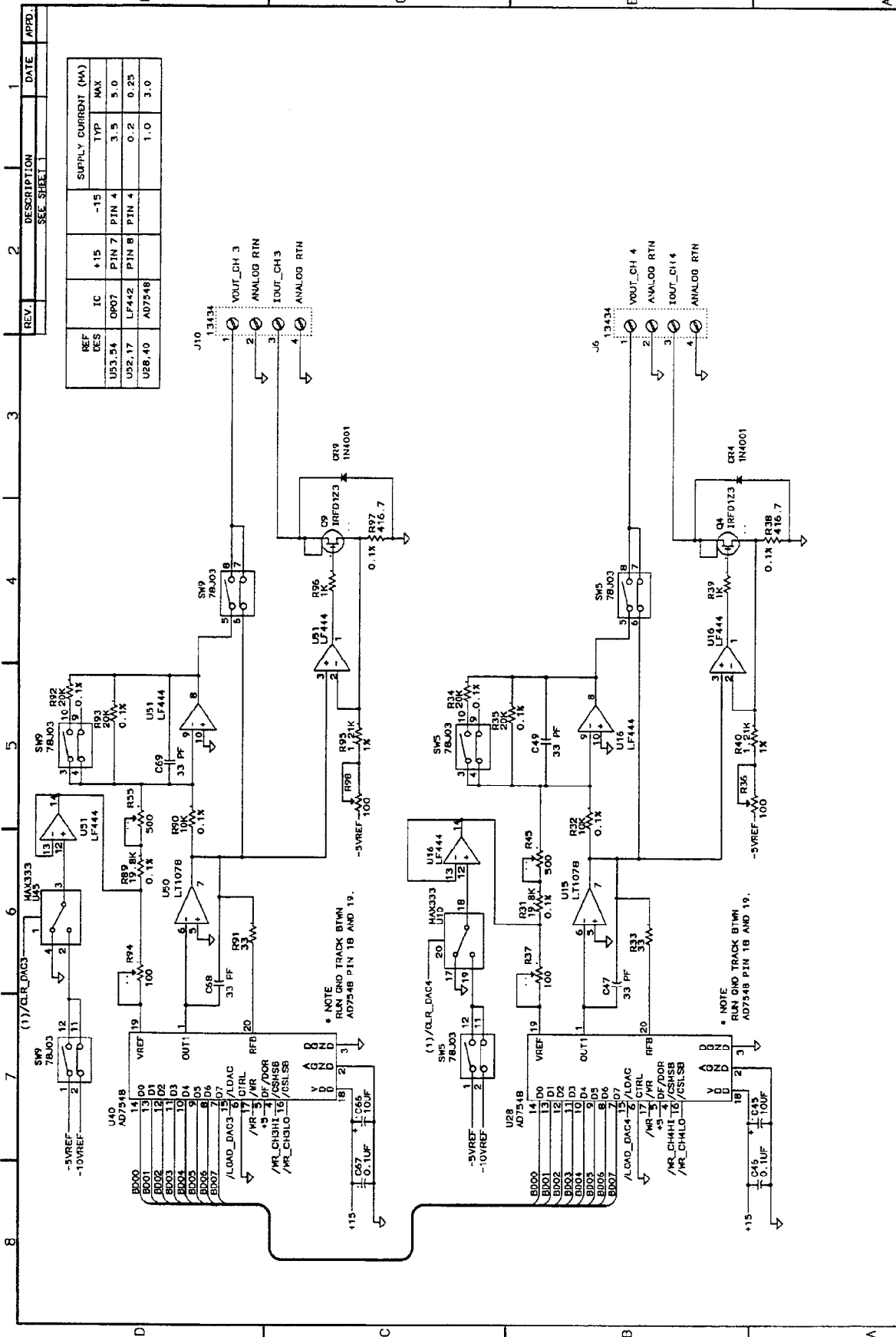
* NOTE
RUN GND TRACK BTWN
AD7548 PIN 18 AND 19.

* NOTE
RUN GND TRACK BTWN
AD7548 PIN 18 AND 19.

KEITHLEY METRABYTE
 440 NILES STANLISH BLVD., TAUNTON, MA 02780

C	DWG. NO.	C7591	REV B
	DATE:	10/19/89	SHEET 3 OF 6

REF DES	IC	+15	-15	SUPPLY CURRENT (mA)
		PIN 4	PIN 7	TYP
		PIN 8	PIN 4	MAX
U53.54	OP07			3.5
U52.17	LF442			0.2
U28.40	AD7548			1.0
				3.0

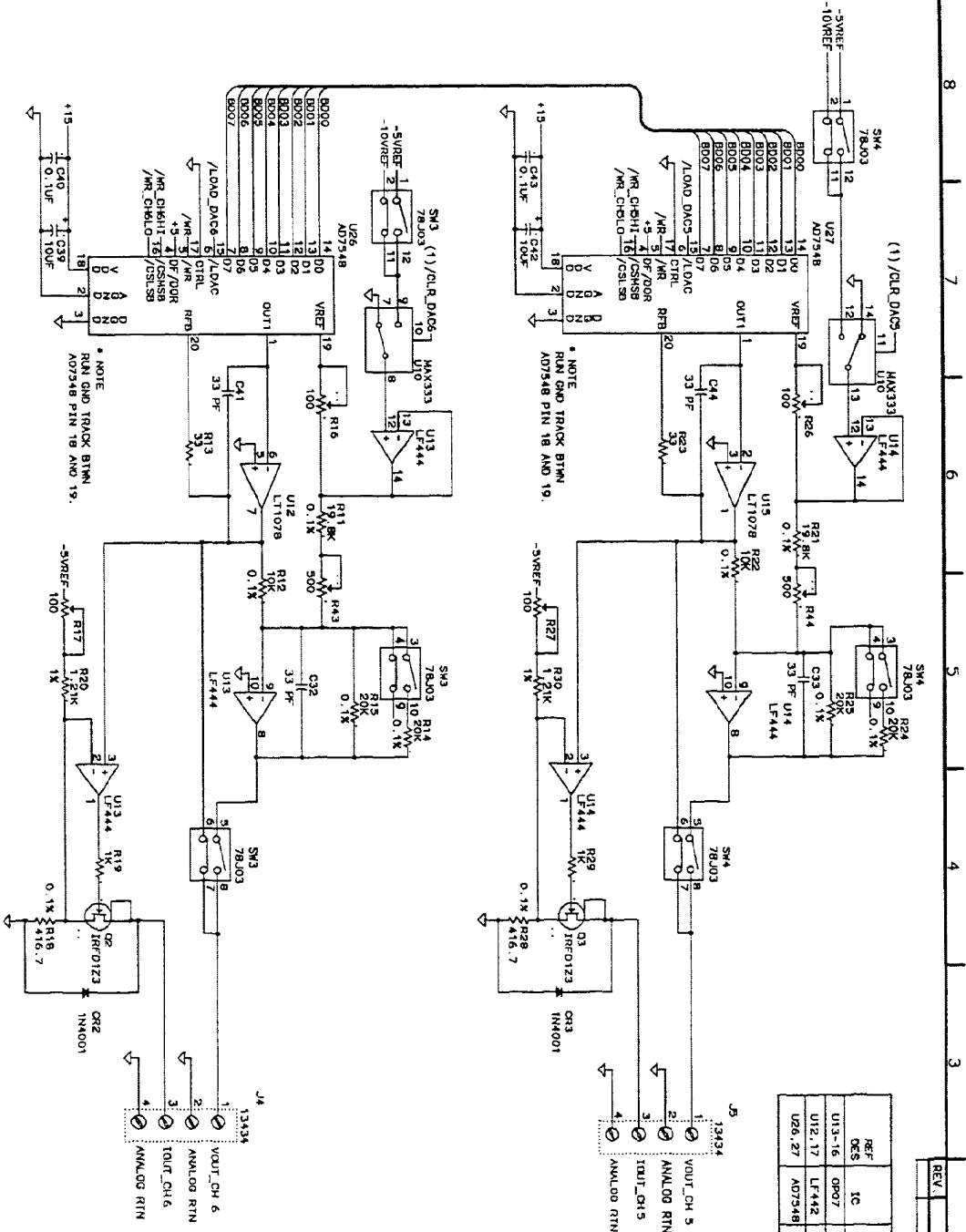


1
 2
 3
 4
 5
 6
 7
 8

D
 C
 B
 A

REF	DES	IC	+15	-15	SUPPLY CURRENT (uA)
U13-16	0807	U13-16	PIN 7	PIN 4	TYP 3.5 MAX 5.0
U12, 17	LF442	U12, 17	PIN 8	PIN 7	0.2 0.23
U26, 27	AD7348	U26, 27			1.0 3.0

REV	DESCRIPTION	DATE	APPD
2	SEE SHEET 1		



KETHLEY METRABYTE
 440 MILES STANFORD BLVD., TAUNTON, MA 02780
 SCHEMATIC - MAO-12
 DWG NO. C7591
 DATE: 10/18/89
 SHEET 5 OF 6

8 7 6 5 4 3 2 1

A B C D

8 7 6 5 4 3 2 1

A B C D

8 7 6 5 4 3 2 1

A B C D

8 7 6 5 4 3 2 1

A B C D

8 7 6 5 4 3 2 1

A B C D

8 7 6 5 4 3 2 1

A B C D

8 7 6 5 4 3 2 1

A B C D

8 7 6 5 4 3 2 1

A B C D

8 7 6 5 4 3 2 1

A B C D

8 7 6 5 4 3 2 1

A B C D

8 7 6 5 4 3 2 1

A B C D

8 7 6 5 4 3 2 1

A B C D

8 7 6 5 4 3 2 1

A B C D

8 7 6 5 4 3 2 1

A B C D

8 7 6 5 4 3 2 1

A B C D

8 7 6 5 4 3 2 1

A B C D

8 7 6 5 4 3 2 1

A B C D

8 7 6 5 4 3 2 1

A B C D

8 7 6 5 4 3 2 1

A B C D

8 7 6 5 4 3 2 1

A B C D

8 7 6 5 4 3 2 1

A B C D

8 7 6 5 4 3 2 1

A B C D

8 7 6 5 4 3 2 1

A B C D

8 7 6 5 4 3 2 1

A B C D

8 7 6 5 4 3 2 1

A B C D

8 7 6 5 4 3 2 1

A B C D

8 7 6 5 4 3 2 1

A B C D

8 7 6 5 4 3 2 1

A B C D

8 7 6 5 4 3 2 1

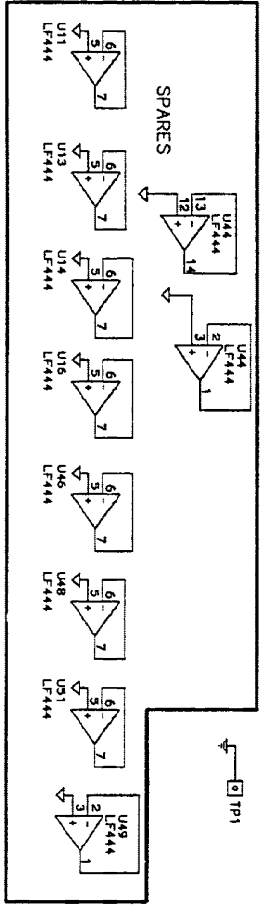
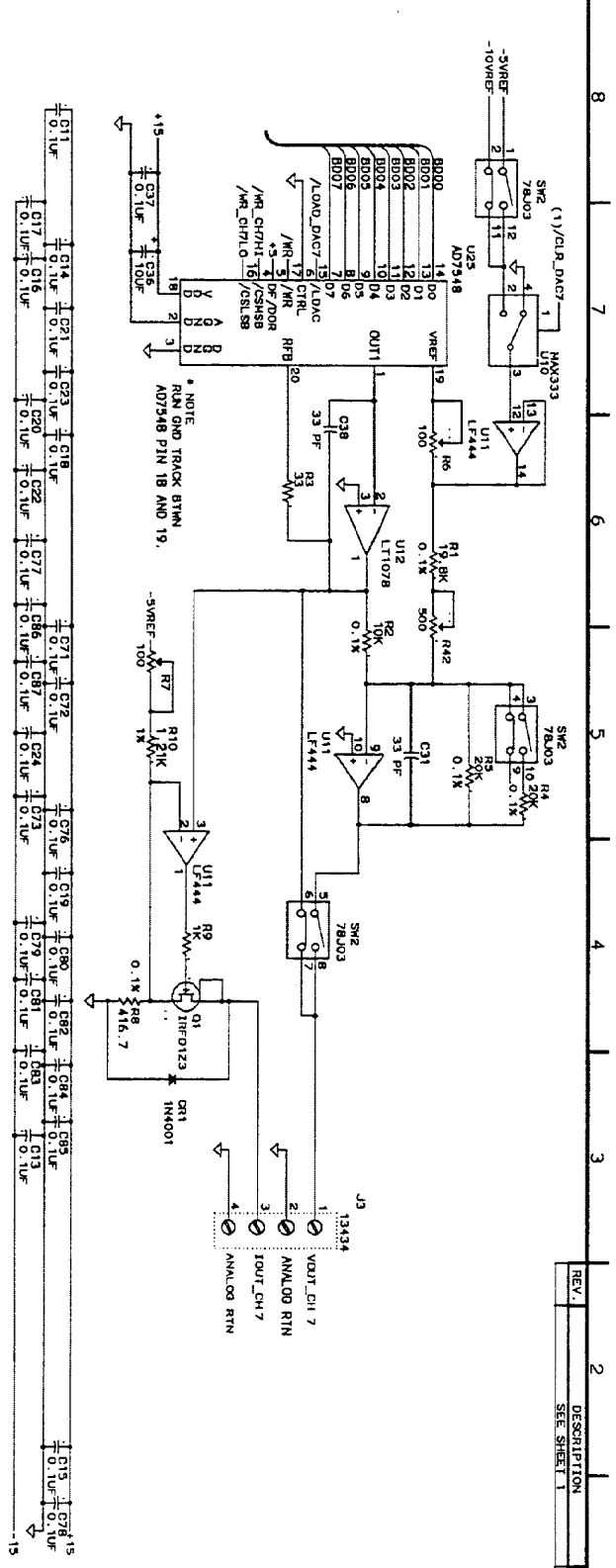
A B C D

8 7 6 5 4 3 2 1

A B C D

8 7 6 5 4 3 2 1

REV.	DESCRIPTION	DATE	APPRO.
2	DESCRIPTION SEE SHEET 1		



KETHLEY METRABYTE

440 NILES STANISHI BLVD., FAIRHUR, MA 02780

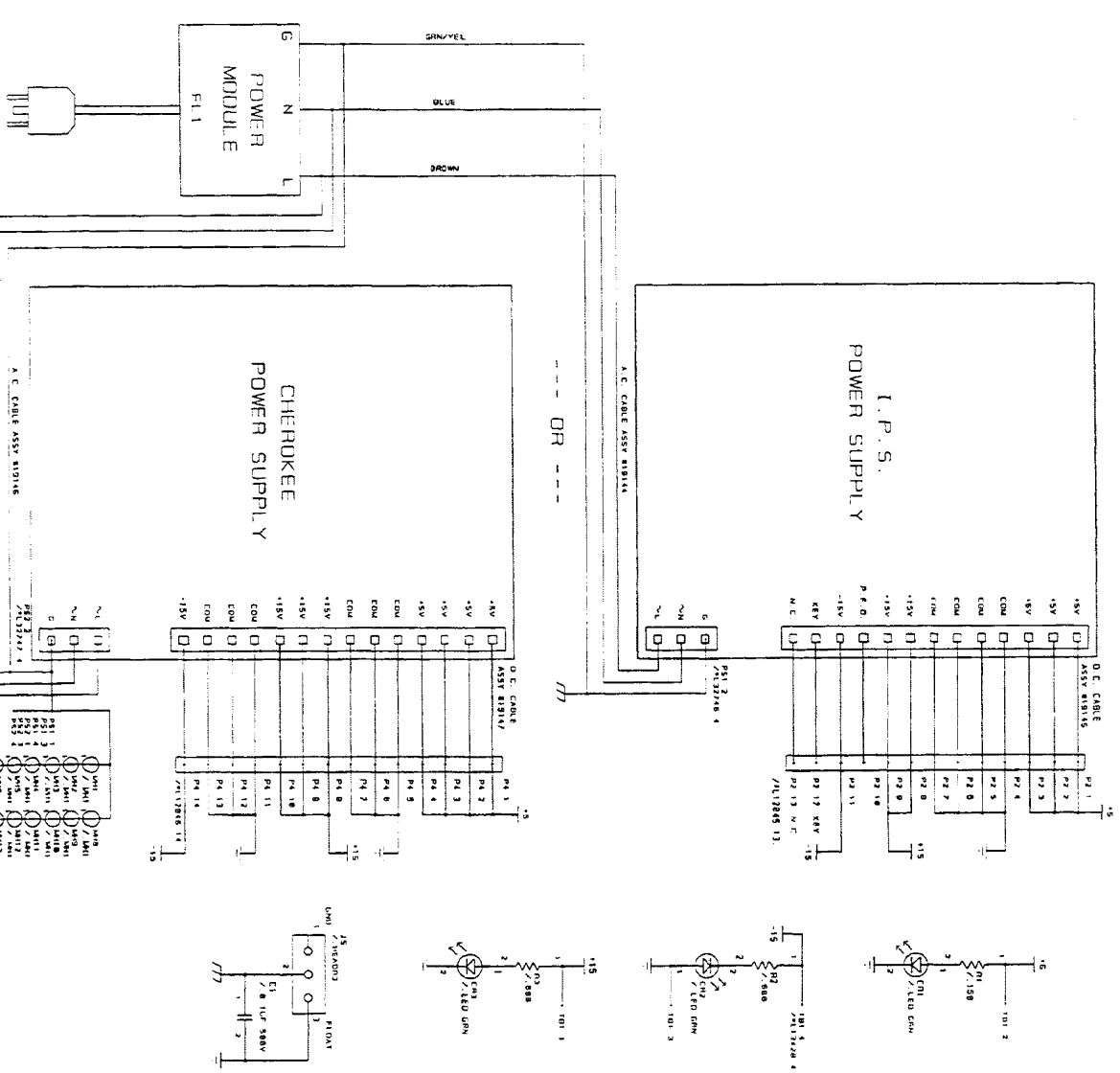
SCHEMATIC - MAO-12

DMO NO. C7591

DATE: 10/19/89

SHEET 6 OF 6

REV B



REV	DESCRIPTION	DATE	APP'D
A	REPLACE PWR MOD 538	1/77	
B		1/77	

J1 POWER CONNECTOR		J2 EXPANSION CONNECTOR	
Pin	Label	Pin	Label
1	5V	1	5V
2	15V	2	15V
3	15V	3	15V
4	15V	4	15V
5	15V	5	15V
6	15V	6	15V
7	15V	7	15V
8	15V	8	15V
9	15V	9	15V
10	15V	10	15V
11	15V	11	15V
12	15V	12	15V
13	15V	13	15V
14	15V	14	15V
15	15V	15	15V
16	15V	16	15V
17	15V	17	15V
18	15V	18	15V
19	15V	19	15V
20	15V	20	15V
21	15V	21	15V
22	15V	22	15V
23	15V	23	15V
24	15V	24	15V
25	15V	25	15V
26	15V	26	15V
27	15V	27	15V
28	15V	28	15V
29	15V	29	15V
30	15V	30	15V
31	15V	31	15V
32	15V	32	15V
33	15V	33	15V
34	15V	34	15V
35	15V	35	15V
36	15V	36	15V
37	15V	37	15V
38	15V	38	15V
39	15V	39	15V
40	15V	40	15V
41	15V	41	15V
42	15V	42	15V
43	15V	43	15V
44	15V	44	15V
45	15V	45	15V
46	15V	46	15V
47	15V	47	15V
48	15V	48	15V
49	15V	49	15V
50	15V	50	15V
51	15V	51	15V
52	15V	52	15V
53	15V	53	15V
54	15V	54	15V
55	15V	55	15V
56	15V	56	15V
57	15V	57	15V
58	15V	58	15V
59	15V	59	15V
60	15V	60	15V
61	15V	61	15V
62	15V	62	15V
63	15V	63	15V
64	15V	64	15V
65	15V	65	15V
66	15V	66	15V
67	15V	67	15V
68	15V	68	15V
69	15V	69	15V
70	15V	70	15V
71	15V	71	15V
72	15V	72	15V
73	15V	73	15V
74	15V	74	15V
75	15V	75	15V
76	15V	76	15V
77	15V	77	15V
78	15V	78	15V
79	15V	79	15V
80	15V	80	15V
81	15V	81	15V
82	15V	82	15V
83	15V	83	15V
84	15V	84	15V
85	15V	85	15V
86	15V	86	15V
87	15V	87	15V
88	15V	88	15V
89	15V	89	15V
90	15V	90	15V
91	15V	91	15V
92	15V	92	15V
93	15V	93	15V
94	15V	94	15V
95	15V	95	15V
96	15V	96	15V
97	15V	97	15V
98	15V	98	15V
99	15V	99	15V
100	15V	100	15V

J3 POWER CONNECTOR		J4 EXPANSION CONNECTOR	
Pin	Label	Pin	Label
1	5V	1	5V
2	15V	2	15V
3	15V	3	15V
4	15V	4	15V
5	15V	5	15V
6	15V	6	15V
7	15V	7	15V
8	15V	8	15V
9	15V	9	15V
10	15V	10	15V
11	15V	11	15V
12	15V	12	15V
13	15V	13	15V
14	15V	14	15V
15	15V	15	15V
16	15V	16	15V
17	15V	17	15V
18	15V	18	15V
19	15V	19	15V
20	15V	20	15V
21	15V	21	15V
22	15V	22	15V
23	15V	23	15V
24	15V	24	15V
25	15V	25	15V
26	15V	26	15V
27	15V	27	15V
28	15V	28	15V
29	15V	29	15V
30	15V	30	15V
31	15V	31	15V
32	15V	32	15V
33	15V	33	15V
34	15V	34	15V
35	15V	35	15V
36	15V	36	15V
37	15V	37	15V
38	15V	38	15V
39	15V	39	15V
40	15V	40	15V
41	15V	41	15V
42	15V	42	15V
43	15V	43	15V
44	15V	44	15V
45	15V	45	15V
46	15V	46	15V
47	15V	47	15V
48	15V	48	15V
49	15V	49	15V
50	15V	50	15V
51	15V	51	15V
52	15V	52	15V
53	15V	53	15V
54	15V	54	15V
55	15V	55	15V
56	15V	56	15V
57	15V	57	15V
58	15V	58	15V
59	15V	59	15V
60	15V	60	15V
61	15V	61	15V
62	15V	62	15V
63	15V	63	15V
64	15V	64	15V
65	15V	65	15V
66	15V	66	15V
67	15V	67	15V
68	15V	68	15V
69	15V	69	15V
70	15V	70	15V
71	15V	71	15V
72	15V	72	15V
73	15V	73	15V
74	15V	74	15V
75	15V	75	15V
76	15V	76	15V
77	15V	77	15V
78	15V	78	15V
79	15V	79	15V
80	15V	80	15V
81	15V	81	15V
82	15V	82	15V
83	15V	83	15V
84	15V	84	15V
85	15V	85	15V
86	15V	86	15V
87	15V	87	15V
88	15V	88	15V
89	15V	89	15V
90	15V	90	15V
91	15V	91	15V
92	15V	92	15V
93	15V	93	15V
94	15V	94	15V
95	15V	95	15V
96	15V	96	15V
97	15V	97	15V
98	15V	98	15V
99	15V	99	15V
100	15V	100	15V

KEITHLEY INC FINANCIAL
 3201 KELLER AVE
 OAKLAND, CALIF 94612
 TEL: (415) 339-1000
 FAX: (415) 339-1001
 MODEL: 8541
 SHEET 1 OF 1